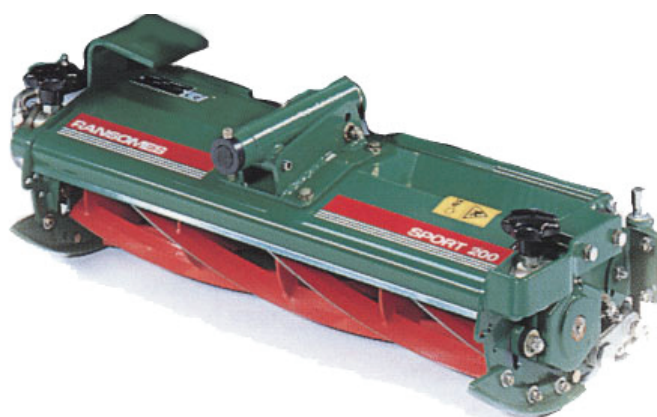




## Sikkerheds-, bruger-, vedligeholdelsesvejledning og reservedelsliste Safety and Operation / Maintenance and Parts Manual

### **RANSOMES®** Sport 200 & Magna 250 Cutting Units



**ADVARSEL:** Denne maskine kan forårsage alvorlig personskade, hvis den bruges forkert. Alle, der bruger og vedligeholder denne maskine, skal være korrekt uddannet til dette, skal advares om farerne og læse hele instruktionsbogen, før maskinen forberedes, bruges, justeres eller serviceres.



**WARNING:** If incorrectly used this machine can cause severe injury. Those who use and maintain this machine should be trained in its proper use, warned of its dangers and should read the entire manual before attempting to set up, operate, adjust or service the machine.



Danish



1 CONTENTS

---

Contents:	Page
2 INTRODUCTION .....	2
2.2 PRODUCT IDENTIFICATION .....	2
2.1 IMPORTANT .....	2
2.3 GUIDELINES FOR THE DISPOSAL .....	2
3 SAFETY INSTRUCTIONS .....	4
3.1 OPERATING INSTRUCTIONS .....	4
3.2 SAFETY SIGNS .....	4
3.3 STARTING THE ENGINE .....	4
3.4 DRIVING THE MACHINE .....	4
3.5 TRANSPORTING .....	4
3.6 LEAVING THE DRIVING POSITION .....	5
3.7 SLOPES .....	5
3.8 BLOCKED CUTTING CYLINDERS .....	5
3.9 ADJUSTMENTS, LUBRICATION AND MAINTENANCE .....	6
4 SPECIFICATION .....	7
5 DECALS .....	12
6 ASSEMBLY & OPERATION .....	13
7 MAINTENANCE & LUBRICATION .....	14
8 ADJUSTMENT .....	17
9 END OF SEASON .....	19
10 GUARANTEE .....	20

## 2 INTRODUCTION

### 2.1 IMPORTANT

**IMPORTANT:** This is a precision machine and the service obtained from it depends on the way it is operated and maintained.

This SAFETY AND OPERATORS MANUAL should be regarded as part of the machine. Suppliers of both new and second-hand machines are advised to retain documentary evidence that this manual was provided with the machine.

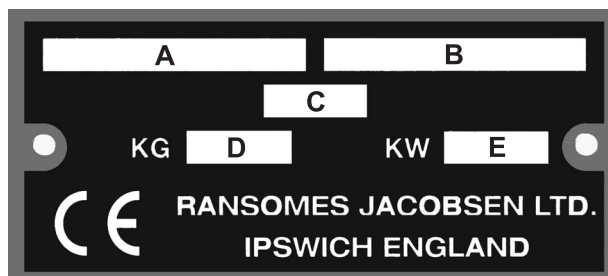
This machine is designed solely for use in customary grass cutting operations. Use in any other way is considered as contrary to the intended use. Compliance with and strict adherence to the conditions of operation, service and repair as specified by the manufacturer, also constitute essential elements of the intended use.

Before attempting to operate this machine, **ALL** operators **MUST** read through this manual and make themselves thoroughly conversant with Safety Instructions, controls, lubrication and maintenance.

Accident prevention regulations, all other generally recognized regulations on safety and occupational medicine, and all road traffic regulations shall be observed at all times.

Any arbitrary modifications carried out on this machine may relieve the manufacturer of liability for any resulting damage or injury.

### 2.2 PRODUCT IDENTIFICATION



- A Machine Name
- B Serial Number
- C Year of Manufacture
- D Machine Weight
- E Engine Power

## 2 INTRODUCTION

### 2.3 GUIDELINES FOR THE DISPOSAL OF SCRAP PRODUCTS

When it has been identified that a turf care product has no further functional value and requires disposal, the following actions should be taken.

These guidelines should be used in conjunction with applicable Health, Safety and Environmental legislation and use of approved local facilities for waste disposal and recycling.

- Position the machine in a suitable location for any necessary lifting equipment to be used.
- Use appropriate tools and Personal Protective Equipment (PPE) and take guidance from the technical manuals applicable to the machine.
- Remove and store appropriately:
  1. Batteries
  2. Fuel residue
  3. Engine coolant
  4. Oils
- Disassemble the structure of the machine referring to the technical manuals where appropriate. Special attention should be made for dealing with 'stored energy' within pressurised elements of the machine or tensioned springs.
- Any items that still have a useful service life as second hand components or can be re-serviced should be separated and returned to the relevant centre.
- Other worn out items should be separated into material groups for recycling and disposal consistent with available facilities. More common separation types are as follows:
  - Steel
  - Non ferrous metals
    - Aluminium
    - Brass
    - Copper

- Plastics
  - Identifiable
    - Recyclable
    - Non recyclable
  - Not identified
- Rubber
- Items that cannot be separated economically into different material groups should be added to the 'General waste' area.
- Do not incinerate waste.

Finally update machinery records to indicate that the machine has been taken out of service and scrapped.

### 3 SAFETY INSTRUCTIONS



This safety symbol indicates important safety messages in this manual. When you see this symbol, be alert to the possibility of injury, carefully read the message that follows, and inform other operators.

#### 3.1 OPERATING INSTRUCTIONS

- Ensure that the instructions in this book are read and fully understood.
- No person should be allowed to operate this machine unless they are fully acquainted with all the controls and the safety procedures.
- Never allow children or people unfamiliar with these instructions to use this machine. Local regulations may restrict the age of the operator.

#### 3.2 SAFETY SIGNS

- It is essential all safety labels are kept legible, if they are missing or illegible they must be replaced. If any part of the machine is replaced and it originally carried a safety label, a new label must be affixed to the replacement part. New safety labels are obtainable from Ransomes dealers.

#### 3.3 STARTING THE ENGINE

- Before starting the engine check that the brakes are applied, drives are in neutral, guards are in position and intact, and bystanders are clear of the machine.
- Do not run the engine in a building without adequate ventilation.

#### 3.4 DRIVING THE MACHINE

- Before moving the machine, check to ensure that all parts are in good working order, paying particular attention to brakes, tyres, steering and the security of cutting blades.
- Replace faulty silencers, mow only in daylight or good artificial light
- Always observe the Highway Code both on and off the roads. Keep alert and aware at all times. Watch out for traffic when crossing or near roadways.
- Stop the blades rotating before crossing surfaces other than grass.

- Remember that some people are deaf or blind and that children and animals can be unpredictable.
- Keep travelling speeds low enough for an emergency stop to be effective and safe at all times, in any conditions.
- Remove or avoid obstructions in the area to be cut, thus reducing the possibility of injury to yourself and/or bystanders.
- When reversing, take special care to ensure that the area behind is clear of obstructions and/or bystanders. **DO NOT** carry passengers.
- Keep in mind that the operator or user is responsible for accidents or hazards occurring to other people or their property.
- When the machine is to be parked, stored or left unattended, lower the cutting means unless the transport locks are being used.
- While mowing, always wear substantial footwear and long trousers. Do not operate the equipment when barefoot or wearing open sandals.
- Check the grass catcher frequently for wear or deterioration. After striking a foreign object inspect the lawnmower for damage and make repairs before restarting and operating the equipment.
- If the machine starts to vibrate abnormally, check immediately.

#### 3.5 TRANSPORTING

- Ensure that the cutting units are securely fastened in the transport position. Do not transport with cutting mechanism rotating.
- Drive the machine with due consideration of road and surface conditions, inclines and local undulations.
- Sudden decelerating or braking can cause the rear wheels to lift.
- Remember that the stability of the rear of the machine is reduced as the fuel is used.

### 3 SAFETY INSTRUCTIONS

#### 3.6 LEAVING THE DRIVING POSITION

- Park the machine on level ground.
- Before leaving the driving position, stop the engine and make sure all moving parts are stationary. Apply brakes and disengage all drives. Remove the starter key.

#### 3.7 SLOPES

##### TAKE EXTRA CARE WHEN WORKING ON SLOPES

- Local undulations and sinkage will change the general slope. Avoid ground conditions which can cause the machine to slide.
- Keep machine speeds low on slopes and during tight turns.
- Sudden decelerating or braking can cause the rear wheels to lift. Remember there is no such thing as a "safe" slope.
- Travel on grass slopes requires particular care.

##### DO NOT USE ON SLOPES GREATER THAN 15°

**IMPORTANT:** When working on any slope select weight transfer, having adjusted to provide adequate traction.

#### 3.8 BLOCKED CUTTING CYLINDERS

- Stop the engine and make sure all moving parts are stationary.
- Apply brakes and disengage all drives.
- Release blockages with care. Keep all parts of the body away from the cutting edge. Beware of energy in the drive which can cause rotation when the blockage is released.
- Keep other people away from the cutting units as rotation of one cylinder can cause the others to rotate.

#### 3.9 ADJUSTMENTS, LUBRICATION AND MAINTENANCE

- Stop the engine and make sure all moving parts are stationary.
- Apply brakes and disengage all drives.
- Read all the appropriate servicing instructions.
- Use only the replacement parts supplied by the original manufacturer.
- When adjusting the cutting cylinders take care not to get hands and feet trapped when rotating cylinders.
- Make sure that other people are not touching any cutting units, as rotation of one cylinder can cause the others to rotate.
- To reduce the fire hazard, keep the engine, silencer and battery compartments free of grass, leaves or excessive grease.

- Replace worn or damaged parts for safety.
- When working underneath lifted parts or machines, make sure adequate support is provided.
- Do not dismantle the machine without releasing or restraining forces which can cause parts to move suddenly.
- Do not alter engine speed above maximum quoted in Engine Specification. Do not change the engine governor settings or overspeed the engine. Operating the engine at excessive speed may increase the hazard of personal injury.
- When refuelling, STOP THE ENGINE, DO NOT SMOKE. Add fuel before starting the engine, never add fuel while the engine is running.
- Use a funnel when pouring fuel from a can into the tank.
- Do not fill the fuel tank beyond the bottom of the filler neck.
- Replace all fuel tank and container caps securely.
- Store fuel in containers specifically designed for this purpose.
- Refuel outdoors only and do not smoke while refuelling.
- If fuel is spilled, do not attempt to start the engine but move the machine away from the area of spillage and avoid creating any source of ignition until fuel vapours have dissipated.
- Allow the engine to cool before storing in any enclosure.
- Never store the equipment with fuel in the tank inside a building where fumes may reach an open flame or spark.
- If the fuel tank has to be drained, this should be done outdoors.
- Do not spill fuel onto hot components.
- When servicing batteries, DO NOT SMOKE, and keep naked lights away.
- Do not place any metal objects across the terminals.

### 3 SAFETY INSTRUCTIONS

---

**DANGER** - Indicates an imminently hazardous situation which, if not avoided, WILL result in death or serious injury.

**WARNING** - Indicates a potentially hazardous situation which, if not avoided, COULD result in death or serious injury.

**CAUTION** - Indicates a potentially hazardous situation which, if not avoided, MAY result in minor or moderate injury and property damage. It may also be used to alert against unsafe practices.

**IMPORTANT:** Transport speed is for highway use only. Never select transport speed on grass areas or uneven or unsurfaced roads or tracks.

 **WARNING** 

Hydraulic Fluid escaping under pressure can penetrate skin and do serious damage. Immediate medical assistance must be sought.



## 4 SPECIFICATION

### MAGNA 250.

#### CONSTRUCTION

Heavy duty welded pressed steel construction

#### CYLINDER:

Diameter:	254mm
Width of cut:	762mm
Number of knives:	4, 6 and 8
Height of cut:	12.7mm - 61mm

### SPORT 200

#### CONSTRUCTION

Heavy duty welded pressed steel construction

#### CYLINDER:

Diameter:	197mm
Width of cut:	762mm
Number of knives:	4, 6, 8 and 11
Height of cut	
Fixed head:	12.7mm - 89mm
Floating head	
Standard blade:	12.7mm - 35.7mm
Thin blade:	9mm - 32mm

### MAGNA 250 AND SPORT 200

#### HEIGHT OF CUT ADJUSTMENT

Adjustable screw system on rear roll. (MAGNA 250 & SPORT 200)

Fixed front roll. (SPORT 200 Floating Head)

#### REAR ROLL

Full width 76mm (3in) diameter solid roll running on taper roller bearings with shaft seals and lubricators.

#### FRONT ROLL

Full width 76mm (3in) diameter grooved roll running on taper roller bearings with shaft seals and lubricators.

#### BOTTOM BLOCK & BLADE

Blade replaceable, mounted onto steel constructed bottom block.

#### TRANSMISSION

By hydraulic motor through toothed drive belt to cutting cylinder. Or by hydraulic motor through cardan shaft to cutting cylinder

# RANSOMES SPORT 200 & MAGNA 250 CUTTING UNITS SAFETY, OPERATORS, MAINTENANCE & PARTS MANUAL

## 4 SPECIFICATION

**EC Declaration of Incorporation** • **Déclaration de constitution CE**  
**EG Verklaring van Conformiteit** • **EG Einbauerklärung**  
**Dichiarazione di costituzione CE** • **EF Erklæring om overholdelse af standard**  
**Överensstämmelse med EU:s regler** • **EY-liitäntädeklaraatio**  
**Declaración de Incorporación de la CE**

We the undersigned • Nous, soussignés • Wij, de ondergetekenden •  
 Wir, die Unterzeichneten • Noi sottoscritti • Undertegnede • Nedanstående företag •  
 Me allekirjoittaneet • Nosotros, los abajo firmantes:

**Ransomes Jacobsen Limited**  
**Central Avenue, Ransomes Europark, Ipswich, England, IP3 9QG**

Certify that the cutting unit • Certifions que le bloc de coupe • Verklaren hierbij dat de maai-eenheid • Bescheinigen,  
 daß die Schneidanlage • Certifichiamo che il gruppo di taglio • Attesterer herved at dette klippeaggregat, • Intygat att  
 klippenheten • Vakuutamme, että leikkuulaite • Certificamos que la unidad cortadora

Make • Marque • Merk • Fabrikat • Marca • Fabrikat • Märke • Merkki • Marca: **Ransomes**

Product Code	Series	Description
LMAB751	AF	Magna 250, 6 Knife, Fixed Head, Spanner HOC, Handwheel on Cut Adjustment
LMAB752	AG	Magna 250, 6 Knife, Fixed Head, Spanner HOC, Handwheel on Cut Adjustment
LMAB753	AH	Magna 250, 6 Knife, Fixed Head, Spanner HOC, Handwheel on Cut Adjustment
LMAB755	AT	Magna 250, 8 Knife, Fixed Head, Spanner HOC, Handwheel on Cut Adjustment
LMAB756	AU	Magna 250 8 Knife, Fixed Head, Spanner HOC, Handwheel on Cut Adjustment
LMAB757	AV	Magna 250 8 Knife, Fixed Head, Spanner HOC, Handwheel on Cut Adjustment
LMAB829	AW	Sport 200 8 Knife, Floating Head, Spanner HOC, Handwheel on Cut Adjustment
LMAB830	AX	Sport 200 8 Knife, Floating Head, Spanner HOC, Handwheel on Cut Adjustment
LMAB831	AY	Sport 200 8 Knife, Floating Head, Spanner HOC, Handwheel on Cut Adjustment
LMAB833	AZ	Sport 200 11 Knife, Floating Head, Spanner HOC, Handwheel on Cut Adjustment
LMAB834	BA	Sport 200 11 Knife, Floating Head, Spanner HOC, Handwheel on Cut Adjustment
LMAB835	BB	Sport 200 11 Knife, Floating Head, Spanner HOC, Handwheel on Cut Adjustment
LMAB789	BC	Sport 200 6 Knife, Fixed Head, Spanner HOC, Handwheel on Cut Adjustment
LMAB790	BD	Sport 200 6 Knife, Fixed Head, Spanner HOC, Handwheel on Cut Adjustment
LMAB791	BD	Sport 200 6 Knife, Fixed Head, Spanner HOC, Handwheel on Cut Adjustment

Conforms to the Harmonised standard • Est conforme à la norme • Voldoet aan de Standaard •  
 Mit der Norm • E' conforme allo standard • Overholder den standard • överstämmer med den standarden •  
 Noudattaa standardia • Conformata con la norma:

**EN836**

This cutting unit has been designed to be fitted to the • Ce bloc de coupe a été conçu pour se monter sur • Deze maai-  
 eenheid werd ontworpen om te worden gemonteerd op de • übereinstimmt. Diese Schneidanlage wurde zur  
 Installation in • Questo gruppo di taglio è stata progettato per essere installato su • Dette klippeaggregat er beregnet til  
 montering på • Denna klippenhet är avsett att monteras på • Tämä leikkuulaite on suunniteltu sopimaan seuraavaan •  
 Esta unidad cortadora ha sido diseñada para su montaje en:

**Commander 3520 series ZE**

  
**T. Lansdell**  
 Managing Director

Certificate Number: **Com3520ZE-Incorp (rev.2)**

# RANSOMES SPORT 200 & MAGNA 250 CUTTING UNITS SAFETY, OPERATORS, MAINTENANCE & PARTS MANUAL

## 4 SPECIFICATION

**EC Declaration of Incorporation** • **Déclaration de constitution CE**  
**EG Verklaring van Conformiteit** • **EG Einbauerklärung**  
**Dichiarazione di costituzione CE** • **EF Erklæring om overholdelse af standard**  
**Överensstämmelse med EU:s regler** • **EY-liitântädeklaraatio**  
**Declaración de Incorporación de la CE**

We the undersigned • Nous, soussignés • Wij, de ondergetekenden •  
 Wir, die Unterzeichneten • Noi sottoscritti • Undertegnede • Nedanstående företag •  
 Me allekirjoittaneet • Nosotros, los abajo firmantes:

**Ransomes Jacobsen Limited**  
**Central Avenue, Ransomes Europark, Ipswich, England, IP3 9QG**

Certify that the cutting unit • Certifions que le bloc de coupe • Verklaren hierbij dat de maai-eenheid • Bescheinigen,  
 daß die Schneidanlage • Certifichiamo che il gruppo di taglio • Attesterer herved at dette klippeaggregat, • Intygat att  
 klippenheten • Vakuutamme, että leikkuulaite • Certificamos que la unidad cortadora

Make • Marque • Merk • Fabrikat • Marca • Fabrikat • Märke • Merkki • Marca: **Ransomes**


Product Code	Series	Description
LMAB577	WK	Sport 200 4 Knife, Fixed Head, Standard Roll, Spanner Adjustment
LMAB578	WL	Sport 200 4 Knife, Fixed Head, Standard Roll, Spanner Adjustment
LMAB546	WM	Sport 200 4 Knife, Fixed Head, Disposable Roll, Spanner Adjustment
LMAB548	WN	Sport 200 4 Knife, Fixed Head, Disposable Roll, Spanner Adjustment
LMAB579	WP	Sport 200 4 Knife, Fixed Head, Standard Roll, Spanner HOC, Handwheel on Cut Adjustment
LMAB580	WQ	Sport 200 4 Knife, Fixed Head, Standard Roll, Spanner HOC, Handwheel on Cut Adjustment
LMAB549	WR	Sport 200 4 Knife, Fixed Head, Disposable Roll, Spanner HOC, Handwheel on Cut Adjustment
LMAB550	WS	Sport 200 4 Knife, Fixed Head, Disposable Roll, Spanner HOC, Handwheel on Cut Adjustment
LMAB581	WT	Sport 200 6 Knife, Fixed Head, Standard Roll, Spanner Adjustment
LMAB582	WU	Sport 200 6 Knife, Fixed Head, Standard Roll, Spanner Adjustment
LMAB551	WV	Sport 200 6 Knife, Fixed Head, Disposable Roll, Spanner Adjustment
LMAB552	WVW	Sport 200 6 Knife, Fixed Head, Disposable Roll, Spanner Adjustment
LMAB583	WX	Sport 200 6 Knife, Fixed Head, Standard Roll, Spanner HOC, Handwheel on Cut Adjustment
LMAB584	WY	Sport 200 6 Knife, Fixed Head, Standard Roll, Spanner HOC, Handwheel on Cut Adjustment
LMAB553	WZ	Sport 200 6 Knife, Fixed Head, Disposable Roll, Spanner HOC, Handwheel on Cut Adjustment
LMAB554	XA	Sport 200 6 Knife, Fixed Head, Disposable Roll, Spanner HOC, Handwheel on Cut Adjustment
LMAB445	XT	Sport 200 11 Knife Floating Head, Standard Roll, Handwheel Adjustment
LMAB446	XU	Sport 200 11 Knife Floating Head, Standard Roll, Handwheel Adjustment

Conforms to the Harmonised standard • Est conforme à la norme • Voldoet aan de Standaard •  
 Mit der Norm • E' conforme allo standard • Overholder den standard • överstämmer med den standarden •  
 Noudattaa standardia • Conformata con la norma:

### EN836

This cutting unit has been designed to be fitted to the • Ce bloc de coupe a été conçu pour se monter sur • Deze maai-  
 eenheid werd ontworpen om te worden gemonteerd op de • übereinstimmt. Diese Schneidanlage wurde zur  
 Installation in • Questo gruppo di taglio è stata progettato per essere installato su • Dette klippeaggregat er beregnet til  
 montering på • Denna klippenhet är avsett att monteras på • Tämä leikkuulaite on suunniteltu sopimaan seuraavaan •  
 Esta unidad cortadora ha sido diseñada para su montaje en:

**Highway 2130 series WJ, CS, CU, DK**

  
**T. Lansdell**  
 Technical Director

Certificate Number: **HW2130WJ-Incorp (rev.2)**

# RANSOMES SPORT 200 & MAGNA 250 CUTTING UNITS SAFETY, OPERATORS, MAINTENANCE & PARTS MANUAL

## 4 SPECIFICATION

**EC Declaration of Incorporation** • **Déclaration de constitution CE**  
**EG Verklaring van Conformiteit** • **EG Einbauerklärung**  
**Dichiarazione di costituzione CE** • **EF Erklæring om overholdelse af standard**  
**Överensstämmelse med EU:s regler** • **EY-liitântädeklaraatio**  
**Declaración de Incorporación de la CE**

We the undersigned • Nous, soussignés • Wij, de ondergetekenden •  
 Wir, die Unterzeichneten • Noi sottoscritti • Undertegnede • Nedanstående företag •  
 Me allekirjoittaneet • Nosotros, los abajo firmantes:

**Ransomes Jacobsen Limited**  
**Central Avenue, Ransomes Europark, Ipswich, England, IP3 9QG**

Certify that the cutting unit • Certifions que le bloc de coupe • Verklaren hierbij dat de maai-eenheid • Bescheinigen,  
 daß die Schneidanlage • Certifichiamo che il gruppo di taglio • Attesterer herved at dette klippeaggregat, • Intygat att  
 klippenheten • Vakuutamme, että leikkuulaite • Certificamos que la unidad cortadora

Make • Marque • Merk • Fabrikat • Marca • Fabrikat • Märke • Merkki • Marca: **Ransomes**

Product Code	Series	Description
LMAB751	AF	Magna 250, 6 Knife, Fixed Head, Spanner HOC, Handwheel on Cut Adjustment
LMAB752	AG	Magna 250, 6 Knife, Fixed Head, Spanner HOC, Handwheel on Cut Adjustment
LMAB753	AH	Magna 250, 6 Knife, Fixed Head, Spanner HOC, Handwheel on Cut Adjustment
LMAB755	AT	Magna 250, 8 Knife, Fixed Head, Spanner HOC, Handwheel on Cut Adjustment
LMAB756	AU	Magna 250 8 Knife, Fixed Head, Spanner HOC, Handwheel on Cut Adjustment
LMAB757	AV	Magna 250 8 Knife, Fixed Head, Spanner HOC, Handwheel on Cut Adjustment
LMAB829	AW	Sport 200 8 Knife, Floating Head, Spanner HOC, Handwheel on Cut Adjustment
LMAB830	AX	Sport 200 8 Knife, Floating Head, Spanner HOC, Handwheel on Cut Adjustment
LMAB831	AY	Sport 200 8 Knife, Floating Head, Spanner HOC, Handwheel on Cut Adjustment
LMAB833	AZ	Sport 200 11 Knife, Floating Head, Spanner HOC, Handwheel on Cut Adjustment
LMAB834	BA	Sport 200 11 Knife, Floating Head, Spanner HOC, Handwheel on Cut Adjustment
LMAB835	BB	Sport 200 11 Knife, Floating Head, Spanner HOC, Handwheel on Cut Adjustment
LMAB789	BC	Sport 200 6 Knife, Fixed Head, Spanner HOC, Handwheel on Cut Adjustment
LMAB790	BD	Sport 200 6 Knife, Fixed Head, Spanner HOC, Handwheel on Cut Adjustment
LMAB791	BD	Sport 200 6 Knife, Fixed Head, Spanner HOC, Handwheel on Cut Adjustment

Conforms to the Harmonised standard • Est conforme à la norme • Voldoet aan de Standaard •  
 Mit der Norm • E' conforme allo standard • Overholder den standard • överstämmer med den standarden •  
 Noudattaa standardia • Conformata con la norma:

**EN836**

This cutting unit has been designed to be fitted to the • Ce bloc de coupe a été conçu pour se monter sur • Deze maai-  
 eenheid werd ontworpen om te worden gemonteerd op de • übereinstimmt. Diese Schneidanlage wurde zur  
 Installation in • Questo gruppo di taglio è stata progettato per essere installato su • Dette klippeaggregat er beregnet til  
 montering på • Denna klippenhet är avsett att monteras på • Tämä leikkuulaite on suunniteltu sopimaan seuraavaan •  
 Esta unidad cortadora ha sido diseñada para su montaje en:

**Parkway 2250 Plus series WB**

  
**T. Lansdell**  
 Technical Director

Certificate Number: **PW2250WB-Incorp (rev.2)**

**4 SPECIFICATION**

**EC Declaration of Incorporation** • **Déclaration de constitution CE**  
**EG Verklaring van Conformiteit** • **EG Einbauerklärung**  
**Dichiarazione di costituzione CE** • **EF Erklæring om overholdelse af standard**  
**Överensstämmelse med EU:s regler** • **EY-liitântädeklaraatio**  
**Declaración de Incorporación de la CE**

We the undersigned • Nous, soussignés • Wij, de ondergetekenden •  
 Wir, die Unterzeichneten • Noi sottoscritti • Undertegnede • Nedanstående företag •  
 Me allekirjoittaneet • Nosotros, los abajo firmantes:

**Ransomes Jacobsen Limited**  
**Central Avenue, Ransomes Europark, Ipswich, England, IP3 9QG**

Certify that the cutting unit • Certifions que le bloc de coupe • Verklaren hierbij dat de maai-eenheid • Bescheinigen, daß die Schneidanlage • Certifichiamo che il gruppo di taglio • Attesterer herved at dette klippeaggregat, • Intygar att klippenheten • Vakuutamme, että leikkuulaite • Certificamos que la unidad cortadora

Make • Marque • Merk • Fabrikat • Marca • Fabrikat • Märke • Merkki • Marca: **Ransomes**

Product Code	Series	Description
LMA3354	UG	Magna 250, 6 Knife, Fixed Head,
LMA3355	UH	Magna 250, 6 Knife, Fixed Head,
LMA3352	UV	Sport 200 8 Knife, Floating Head,
LMA3353	UW	Sport 200 8 Knife, Floating Head,

Conforms to the Harmonised standard • Est conforme à la norme • Voldoet aan de Standaard •  
 Mit der Norm • E' conforme allo standard • Overholder den standard • överstämmer med den standarden •  
 Noudattaa standardia • Conformata con la norma:

**EN836**

This cutting unit has been designed to be fitted to the • Ce bloc de coupe a été conçu pour se monter sur • Deze maai-  
 eenheid werd ontworpen om te worden gemonteerd op de • übereinstimmt. Diese Schneidanlage wurde zur  
 Installation in • Questo gruppo di taglio è stata progettato per essere installato su • Dette klippeaggregat er beregnet til  
 montering på • Denna klippenhet är avsett att monteras på • Tämä leikkuulaite on suunniteltu sopimaan seuraavaan •  
 Esta unidad cortadora ha sido diseñada para su montaje en:

**Hydraulic 3400 series UD & Hydraulic 4650 series UC**

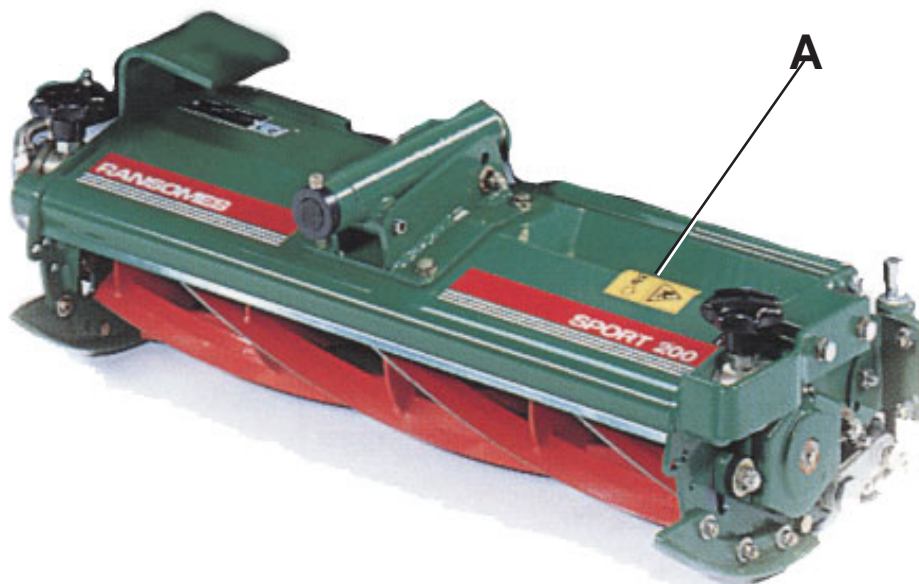


T. Lansdell  
 Technical Director

Certificate Number: **3400-UD-4650-UC-Incorp (rev.2)**



A = 009034940 Cation rotating blades



**6 ASSEMBLY & OPERATION**

---

**FITTING THE UNIT TO THE MACHINE**



*Read the Safety Instructions*

Fitting the unit to the machine is described in the power unit operating instruction book.

**OPERATING THE UNIT**



*Read the Safety Instructions*

Operating the unit is described in the power unit operating instruction book.

7 MAINTENANCE & LUBRICATION



Read the Safety Instructions

Lubricate the following with Shell Darina R2 grease.

Cutting cylinder bearings weekly or every 50 hours.  
(A Fig.1)

Roll bearings weekly or every 50 hours.  
(A Fig.2)

Unit pivot weekly or every 50 hours.  
(A Fig.3)

Cylinder on cut adjusters - If for any reason the adjusters are dismantled they should be half filled with gear oil EP90.

**Lubrication of Direct Drive Hydraulic Motor  
(Every 400 hours)**

Lower all cutting units onto level ground. Before leaving the driving position, stop the engine and make sure all moving parts are stationary. Apply brakes and disengage all drives. remove the starter key. The direct drive hydraulic motor can be removed from the cutting unit by removing the two screws and washers holding the motor to the bearing housing. Carefully withdraw the motor from the bearing housing, it is important not to contaminate the motor shaft or internal splines of the cutting cylinder. If for any reason they are contaminated, they should be cleaned by degreasing. Liberally lubricate the motor and cylinder splines with Shell Malleus JB1 grease (Textron Part no. MBE3927) before reassembling.

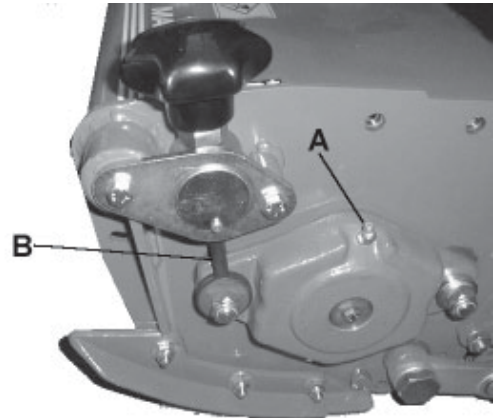


Fig.1

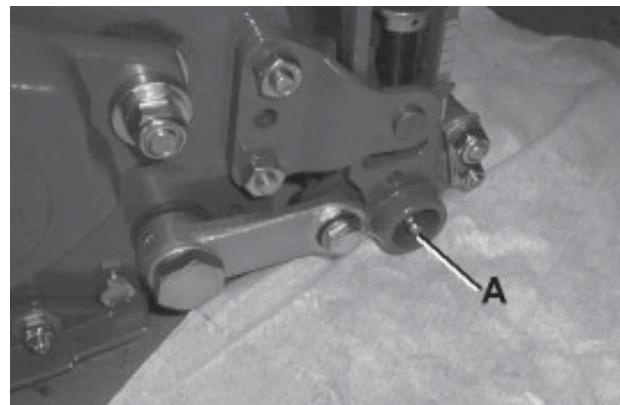


Fig.2

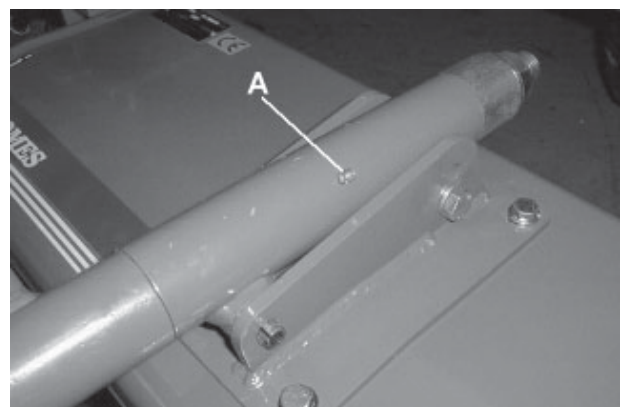


Fig.3



## 7 MAINTENANCE & LUBRICATION



*Read the Safety Instructions*

**Check all nuts and bolts every 75 hours**

### BELT DRIVE UNIT

#### HYDRAULIC MOTOR TO CUTTING CYLINDER

This is located in the drive housing and is accessed by removing the drive housing complete with hydraulic motor from cutting unit. The cylinder drive belt should not need any adjustment in normal use.

#### REMOVAL OF DRIVE HOUSING

If the drive housing should need any maintenance it is first removed from the cylinder bearing housing by removal of two bolts M10 x 45 together with plain washers 10mm. (It is important these bolts and washers are used as any other arrangement will not give the correct engagement of bolt in the cylinder bearing housing).

#### REMOVAL OF HYDRAULIC MOTOR

To remove the hydraulic motor remove the bolts holding the motor to the drive housing. Carefully withdraw the motor together with its attached toothed pulley from the drive housing and toothed belt.

#### REMOVAL OF DRIVE BELT

Belt removal can now be achieved by the removal of the larger driven toothed pulley, the pulley assembly can be released from the drive housing by the removal of 3 screws, the belt can now be removed through the large drive housing orifice.

#### BELT STORAGE AND HANDLING

For storage, the belt should be protected from moisture, temperature extremes, direct sunlight and high ozone environments. The belt should be stored in its original package, avoiding any sharp bends or crimping, which will damage the belt.

There is no problem with leaving tension on the belt during equipment storage. Tension could be backed off if desired. Consideration should be given to extended storage of equipment with belts installed if the environment is detrimental as described above.

Handling of the Poly Chain GT belt is also important. Due to the high performance characteristics of the Poly Chain GT belt, do not twist, crimp, invert, bend or coil the belt. Belts should not be bent tighter than the smallest recommended pulley diameter for that cross section on the inside - approximately 60mm for 8mm pitch.

Backside bending should be limited to two times the inside permissible diameter. Under no circumstances should the belt be forced or prised onto a drive.

The belt may be cleaned by wiping with a rag slightly dampened with a light, non-volatile solvent, such as mineral spirits or paraffin. Soaking or brushing on of such a solvent is not advisable. More obviously, sanding or scraping the belt with a sharp object to remove grease or debris is not recommended. Similar solvent procedures should be applied to the pulleys.

#### FITMENT OF DRIVE BELT, HYDRAULIC MOTOR AND DRIVE HOUSING

1. Assemble toothed belt into drive housing through large orifice taking care not to 'crimp' or 'nip' the belt in anyway. The hydraulic motor complete with toothed pulley should be assembled next taking care to make sure the flange of the pulley is correctly assembled through the belt, with the belt sitting squarely on the pulley teeth.

2. Finally assemble the large pulley assembly retaining it with the 3 screws.

3. Belt adjustment is best achieved after the drive housing has been refitted to the cutting unit.

4. Fitting the drive housing assembly to the cylinder bearing housing is the reverse of REMOVAL OF DRIVE HOUSING. Care should be taken that the plastic drive element is correctly engaged between driving 'dogs' on the cylinder drive shaft and pulley.

#### DRIVE BELT TENSIONING

With the hydraulic motor clamp bolts just slack enough to allow the hydraulic motor to rotate about its pivot bolt grasp the hydraulic motor by one hand and pull upwards firmly to tension the belt and while held in this position tighten the clamp bolt and finally the pivot bolt.

#### DIRECT DRIVE UNIT

#### REMOVAL OF HYDRAULIC MOTOR

To remove the hydraulic motor, remove the two screws and washers holding the motor to the bearing housing. Carefully withdraw the motor together with the cardan shaft.

**NOTE:** When dismantling it is important not to contaminate the cardan shaft or the internal splines of the hydraulic motor and cutting cylinder shaft. If for any reason they should become contaminated, they should be cleaned by degreasing and then lubricated using Shell Malleus JB1 grease before reassembling.

8 ADJUSTMENT



Read Safety Instructions

**HEIGHT OF CUT (FIG.4 & 5)**

**TO ADJUST HAND WHEEL TYPE:**

1. Turn the adjuster handwheel or nut (A Fig.4) situated on handwheel clockwise (+) to increase the height of cut, or anticlockwise (-) to decrease the height of cut.

2. Ensure that an equal amount of adjustment is made to both adjusters on all the cutting units. To assist in obtaining equal adjustment height of cut indicators (B Fig.2) are provided at each end of the roll assembly.

NOTE: The numbers 1 to 9 are only for reference from one side of the roll to the other and bear no relation to the height of cut other than each graduation gives approximately 6.25mm (1/4in) height of cut movement for fixed head units and 3.75mm (5/32in) for floating head units. These indicators are set at the factory and when the pointer is set the same at each end of the roll the roll will be parallel with the bottom blade. If due to any reason the roll and bottom blade are not parallel with each other the roll can be set parallel with the bottom blade by rotating one of the handwheels and then one indicator adjusted by slackening the small clamping screw in the centre of the indicator plate and positioning the indicator relative to the pointer at the opposite end of the roll assembly.

3. No other adjustments are necessary.

4. THIS IS A SELF LOCKING MECHANISM THERE BEING NO NECESSITY TO UNLOCK OR LOCK THE MECHANISM.

**TO ADJUST SPANNER TYPE:**

- 1) Release the two screws (78 Fig.5) which hold the eccentric bush in the lever.
- 2) Turn the adjuster (83 Fig.5) at the rear of the unit, clockwise to reduce the height of cut, or anticlockwise to increase the height of cut.
- 3) After adjusting securely tighten screws (78 Fig.5).

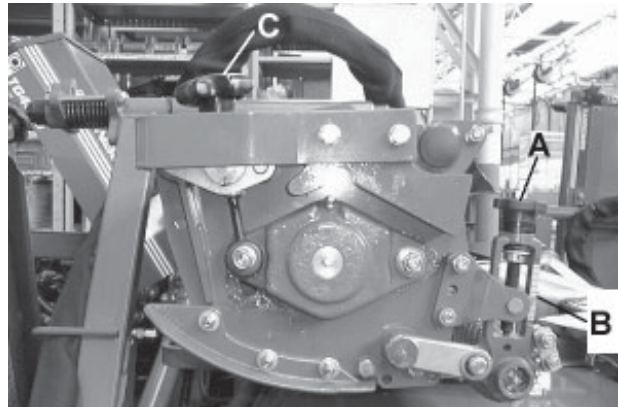


Fig.4

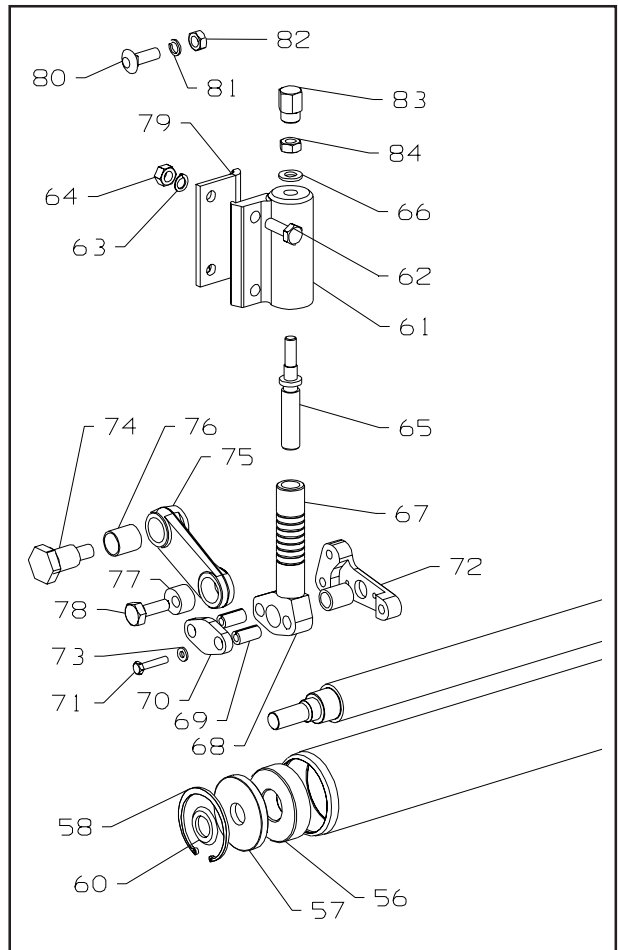


Fig.5

## 8 ADJUSTMENT

### SPORT 200 FIXED HEAD ADDITIONAL ADJUSTMENT

1. Accommodation for extra high height of cut adjustment is built into the cutting unit centre pivot.
2. By repositioning the rear centre pivot bolt height of cut up to 101mm (4in) can be achieved.

### SPORT 200 FLOATING HEAD FRONT ROLL SETTING

1. The right hand end of the front roll is fixed. To set the roll parallel to the bottom blade rotation of an eccentric clamping nut on the left hand front roll bearing housing is necessary.
2. Slacken left hand roll bearing housing clamping bolts.
3. Rotate the eccentric nut to give the desired parallelism of the roll to the bottom blade.
4. While still holding the eccentric nut from rotating tighten the the roll bearing housing clamping bolts.

### CUTTING CYLINDER TO BOTTOM BLADE ADJUSTMENT (FIG.6)

To check that the cutting cylinder is set to the bottom blade correctly, hold a piece of thin paper between the edge of the blade and the spiral cutters and turn the cylinder manually.

The paper should be cut cleanly along the total length of the bottom blade, if not, some adjustment may be necessary, BUT DO NOT OVERTIGHTEN. Alternatively if the cylinder is worn it may require back lapping before adjusting.

#### TO ADJUST HANDWHEEL TYPE:

1. To adjust the cylinder to the bottom blade turn alternately left and right hand handwheels (C Fig.6) clockwise to put on cut. A 'notching' effect will be felt as the handwheel is rotated in a clockwise direction this 'notching' is moving the cylinder in increments of approximately 0.035mm (0.0014in) towards the bottom blade.
2. The correct 'on cut' must be achieved with the adjustment mechanism 'slack' (i.e. between 'notches'). A requirement of the hand adjustment is that the cylinder must always be moved towards the bottom blade (i.e. clockwise rotation of handwheels)

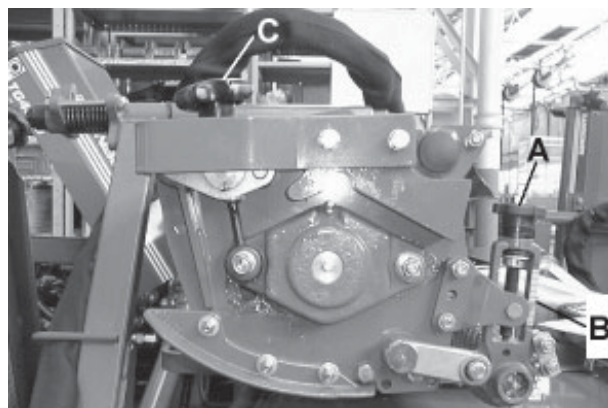


Fig.6

### ⚠ WARNING ⚠

#### CUTTING CYLINDER TO BOTTOM BLADE ADJUSTMENT

##### COMMANDER 3520

To ensure the cutting circuit has no back pressure. The following procedure should be used.

1. Stop cutting cylinder rotation by putting control lever into the neutral position.
2. The units should be raised (to close the diverter valves) then lowered and the engine switched off.

The cutting units can now be rotated freely to assist setting the cylinder to bottom blade.

## 8 ADJUSTMENT

to attain the correct cutting relationship of cylinder and bottom blade. NEVER PLACE CYLINDER HARD 'ON CUT', and by anticlockwise rotation of handwheel try to attain the correct cutting relationship.

3. If cylinder is placed too hard 'on cut' it must be adjusted to clear the bottom blade by anticlockwise rotation of handwheel then re-adjusted back down to the bottom blade.

4. THIS IS A SELF LOCKING MECHANISM THERE BEING NO NECESSITY TO UNLOCK OR LOCK THE MECHANISM.

### TO ADJUST SPANNER TYPE:

1. Slacken the cutting cylinder clamp nuts and bolts (48 Fig.7) on both sides of the unit and adjust the nuts (58 Fig.7) to bring the cylinder slightly off cut so that it will revolve freely.
2. Adjust the cylinder down to the bottom blade on one end of the unit until the blade of the cylinder lightly contacts the bottom blade. Back off the adjustment slightly until the blades are just clear of each other.
3. Repeat the adjustment on the opposite end of the unit until the cylinder contacts the bottom blade.
4. Finally, the first end of the cylinder should be adjusted down again so that it just contacts the bottom blade.
5. Re-tighten the cylinder bearing housing clamp bolts and nuts (48 Fig.7) securely.

**NOTE:** When using the above method it should be possible to rotate the cylinder freely during all stages of adjustment.

### CUTTING CYLINDER BEARINGS

The cutting cylinder bearings are self adjusting taper roller bearings and require no adjustments.

### FRONT AND REAR ROLL BEARINGS

The roll bearings are self adjusting taper roller bearings and require no adjustment

### GRASS DEFLECTOR

The grass deflector can be positioned by hand as it is 'friction clamped' by nuts (tightening the nuts will increase the clamping effect).

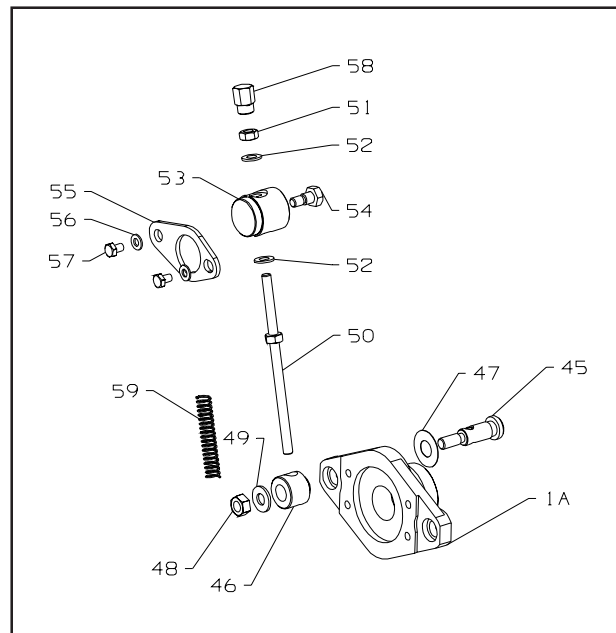


Fig.7

### VERTICUT REEL ADJUSTMENT.

The position of the reel must not be altered after being set. Any changes required in height must only be made by moving the front and rear rolls. Normal setting of the blades is that the tips should be 3mm (1/8 in) above the ground. The blade tips MUST NOT penetrate the top surface of the soil.

To Adjust :

- (a) Release bolt and nut at front end.
- (b) Turn adjusters above rear roll clockwise to reduce height of cut and anticlockwise to increase height of cut.
- (c) Re-tighten nut at front of skid.

## 9 END OF SEASON

---

- a. The units should be thoroughly cleaned down to remove all accumulations of grass clippings and debris.
- b. Turn the cutting cylinders to clean the cutting edges.
- c. Apply a little oil with a brush to the spiral cutters to prevent rusting.
- d. Slowly turn the cylinders which will then spread the oil on the bottom blades.

WARNING NOTE: Do not turn the cylinders manually.

## **GUARANTEE**

We **GUARANTEE** that should any defect in workmanship or material occur in the goods within **TWO YEARS** or two thousand hours (on models equipped with hour meters), or whichever occurs first.

Exception to this warranty will be Aeration products, which are covered for a period of **TWO-YEARS** or five hundred hours (on models equipped with hour meters) or whichever occurs first.

We will repair, or at our option, replace the defective part without making any charge for labour or for materials, provided that the claim under this guarantee is made through an authorised dealer and that the defective part shall, if we so request, be returned to us or to the dealer.

This guarantee is in addition to, and does not exclude, any condition or warranty implied by law, except that we accept no liability in respect of used/second-hand goods, or in respect of defects which in our opinion are in any way or to any extent attributable to misuse, lack of reasonable care or ordinary wear and tear, or to the fitting of spares, replacements, or extra components which are not supplied or approved by us for the purpose. The use of non-recommended oil or lubricant nullifies the guarantee.

Damage through transport or normal wear does not come under the guarantee.

The warranty is extended to the original purchaser only and is not transferable to subsequent owners. The warranty period begins on the date the product is delivered to the end user (customer), unless otherwise agreed with the manufacturer. At the end of the first year the owner must have the product serviced by an authorised dealer to be eligible for the second year of warranty coverage.

## **SALES & SERVICE**

A network of authorised Sales and Service dealers has been established and these details are available from your supplier.

When service attention, or spares, are required for the machine, within or after the guarantee period your supplier or any authorised dealer should be contacted.

Always quote the registered number of the machine.

If any damage is apparent when delivery is made, report the details at once to the supplier of the machine.

## **HOW TO USE THE PARTS MANUAL**

### **ITEM NUMBER**

Each part which is identified in the illustrations has an item number. Parts which do not have an item number may not be readily identified in the illustration but are usually closely associated with the immediately adjacent part.

### **ASSEMBLIES**

A complete assembly, e.g. a wheel motor or hydraulic motor or roll assembly, is listed as a complete item with subsequent individual components listed separately.

The assembly is listed under its part number with component parts being listed offset to the right, e.g.:-

<b>ITEM</b>	<b>PART NO.</b>	<b>DESCRIPTION</b>	<b>QTY</b>	<b>REMARKS</b>
1	LMSD798	Roll Assy.	1	ALL MACHINES
2	MBB4490	• Tube	1	
3	LMSD926	• End Cap Assy.	2	
4	MBB6851	•• End Cap	1	
5	H009116	•• Bearing	1	
6	MBB2356	• Seal Housing	1	
7	A224016	• Seal	2	
*	A122192	Screw	2	

It may not be possible to illustrate every item. With certain items purchased from outside suppliers some component parts may not be available from Ransomes and may need to be specially ordered from the supplier e.g. Volvo hydraulic motor components.

### **QUANTITIES**

Quantities shown are for one assembly or sub-assembly.

### **USING THE PARTS LIST**

Determine the function and application of the part required. Turn to the main index page and select the appropriate section. Locate the part on the illustration and parts list and read off the quantity from the appropriate MODEL column.

### **NUMERICAL INDEX**

This is a summary of all part numbers used in the manual arranged in numerical sequence and showing the page and item number under which the parts appear.

### **ORDERING OF SPARE PARTS**

When ordering replacement parts, it is most important to quote the SERIAL NUMBER of the machine, PART NUMBER, DESCRIPTION and QUANTITY required.

Any arbitrary modifications carried out on this machine may relieve the manufacturer of liability for any resulting damage or injury.

### **ABBREVIATIONS**

N/A Not Available  
AR As Required





1 CONTENTS

---

Contents:	Page
2 INDLEDNING	
2.1 VIGTIGT .....	2
2.2 PRODUKTIDENTIFIKATION .....	2
2.3 GUIDELINES FOR THE DISPOSAL OF SCRAP PRODUCTS .....	2
3 SIKKERHEDSREGLER	
3.1 BETJENINGSVEJLEDNING .....	4
3.2 ADVARSELSSKILTNING .....	4
3.3 SÅLEDES STARTER MAN MOTOREN .....	4
3.4 SÅLEDES KØRER MAN MED MASKINEN .....	4
3.5 TRANSPORT .....	4
3.6 SÅLEDES FORLADER MAN .....	
3.7 SKRÅNINGER .....	5
3.8 BLOKEREDE KNIVCYLINDERE .....	5
3.9 JUSTERINGER, SMØRING OG .....	
4 TEKNISKE DATA .....	7
5 LABELS .....	12
6 MONTERING AF ENHEDEN PÅ MASKINEN .....	13
7 SMØRING .....	14
8 JUSTERINGER .....	16
9 SERVICE VED SÆSONENS SLUTNING .....	19
10 GARANTI .....	20

## **2 INDLEDNING**

### **2.1 VIGTIGT**

**VIGTIGT:** Dette er en præcisionsmaskine, og hvor meget glæde du får af maskinen, afhænger af hvordan den bliver brugt og vedligeholdt.

Denne brugervejledning udgør en del af maskinen. Leverandører af nye eller brugte maskiner anbefales at opbevare bevis for, at denne vejledning blev leveret med maskinen.

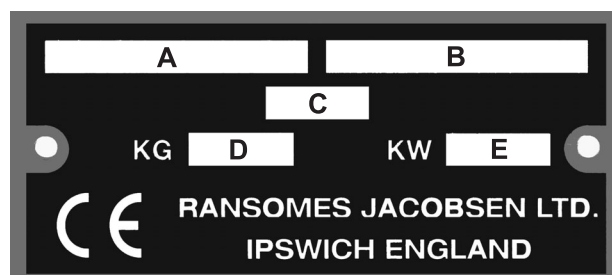
Maskinen er designet ene og alene til brug for almindelig plæneklipning. Enhver anden anvendelse anses for at være i modstrid med den tiltænkte anvendelse. Efterlevelse og streng overholdelse af betingelserne for drift, service og vedligeholdelse som specificeret af producenten udgør ligeledes vigtige elementer i den tiltænkte anvendelse.

Før der gøres forsøg på at anvende maskinen, SKAL ALLE brugere læse denne manual og gøre dem selv fortrolig med sikkerhedsinstrukserne, reguleringer, smøring og vedligeholdelse.

Regler for forebyggelse af uheld, alle andre generelt anerkendte regler for sikkerhed og arbejdsmedicin, og alle færdselsregler skal iagttages til enhver tid.

Vilkårlig modifikation af denne maskine kan fritage producenten for ansvar for evt. skade eller kvæstelser som følge heraf.

### **2.2 PRODUKTIDENTIFIKATION**



- A Maskinens navn
- B Serienummer
- C Fabrikationsår
- D Maskinens vægt
- E Motoreffekt

## **2 INDLEDNING**

### **2.3 RETNINGSLINIER FOR BORTSKAFFELSE AF AFFALDSPRODUKTER**

Når det er fastslået, at et græsplejeprodukt ikke har yderligere brugsværdi og skal bortskaffes, skal følgende gøres.

Disse retningslinier skal anvendes sammen med gældende lovgivning vedrørende sundhed, sikkerhed og miljø samt med brug af godkendte lokale faciliteter for bortskaffelse og genbrug af affald.

- Anbring maskinen et passende sted for anvendelse af eventuelt nødvendigt løfteudstyr.
- Anvend hensigtsmæssigt værktøj og personligt beskyttelsesudstyr og søg vejledning i de tekniske manualer, der gælder for maskinen.
- Følgende fjernes og opbevares korrekt:
  1. Batterier
  2. Brændstofrester
  3. Motorens kølevæske
  4. Olie
- Maskinen adskilles med henvisning til de tekniske manualer, hvor det er hensigtsmæssigt. Vær særlig opmærksom ved håndtering af "oplagret energi" i maskinens dele under tryk eller strammede fjedre.
- Alle elementer, der stadig kan gøre nytte som brugte komponenter eller kan anvendes igen, skal adskilles og returneres til det relevante center.

- Andre slidte dele skal opdeles i materialegrupper til genbrug og bortskaffelse i overensstemmelse med de faciliteter, der er til rådighed. Blandt de almindelige opdelingstyper er følgende:
  - Stål
  - Ikke jernholdige metaller
    - Aluminium
    - Messing
    - Kobber
  - Plast
    - Identificerbare
      - Materialer, der kan genbruges
      - Materialer, der ikke kan genbruges
    - Ikke identificerede materialer
  - Gummi
- Emner, som det ikke kan betale sig at opdele i forskellige materialegrupper, skal anbringes i området for "almindeligt affald".
- Affaldet må ikke brændes.

Til sidst opdateres maskinoptegnelserne, så de viser, at maskinen er taget ud af drift og skrottet.

### 3 SIKKERHEDSREGLER



Dette sikkerhedssymbol angiver vigtig sikkerhedsinformation i denne vejledning. Når du ser dette symbol, skal du være opmærksom på risikoen for skade, læse den efterfølgende information omhyggeligt igennem, og give den videre til andre brugere.

#### 3.1 BETJENINGSVEJLEDNING

- Husk at læse og bide mærke i instrukserne i denne bog.
- Kun personer med fuldt kendskab til kontrolgrebene og sikkerhedsreglerne bør have adgang til at betjene denne maskine.
- Børn, og andre der ikke har kendskab til nærværende anvisninger, bør ikke have adgang til at bruge maskinen. Der er muligvis lokale restriktioner med hensyn til førerens alder.

#### 3.2 ADVARSELSSKILTNING

- Det er meget vigtigt, at advarselmærkater er nemme at læse, og hvis de mangler eller er ulæselige, skal de udskiftes. Hvis en del af maskinen skal udskiftes, og den oprindelige del er forsynet med et advarselmærkat, skal den nye del også forsynes med et lignende mærkat. Nye advarselmærkater kan fås ved henvendelse til Ransomes' reservedelsafdeling.

#### 3.3 SÅLEDES STARTER MAN MOTOREN

- Inden man starter motoren, skal man kontrollere, at bremserne er slået til, kraftoverføringen er i neutral, skærm-pladerne er i stilling og intakte, og at der ingen andre personer befinder sig i nærheden af maskinen.
- Motoren må ikke køre i en bygning, medmindre der er tilstrækkelig ventilation.

#### 3.4 SÅLEDES KØRER MAN MED MASKINEN

- Inden man begynder at arbejde med maskinen, skal det kontrolleres, at alle dele er i god driftsmæssig stand, især bremser, dæk, styretøj og skærestålets sikkerhedsværn.
- Defekte lyddæmpere bør udskiftes. Slå kun græs ved dagslys eller god kunstig belysning.
- Husk altid at overholde færdselsreglerne både på og udenfor vejbanen. Ved kørsel over eller i nærheden af en vej bør man have opmærksomheden henvendt på trafikken.
- Inden der køres hen over andre belægninger end græs, skal knivene standses.
- Vær hele tiden på vagt og årvågen. Husk, at der er folk, som er enten døde eller blinde, og at børn og dyr ofte kan være uberegnelige.

- Sørg for at farten er lav nok til at foretage en effektiv og sikker katastrofeopbremsning til enhver tid og i alle situationer.
- Fjern eller undgå forhindringer på området, der skal klippes, så hverken du selv eller eventuelle omkringstående kommer til skade.
- I bakgear skal man især passe på, at der ikke findes forhindringer og/eller andre personer bag maskinen. Der må IKKE medbringes passagerer.
- Husk, at føreren/brugeren har ansvaret for eventuelle ulykker og skader der påføres andre mennesker eller deres ejendom.
- Når maskinen parkeres, oplægges eller efterlades uden opsyn, skal slåmekanismen sænkes, medmindre transportlåsene er i brug.
- Under arbejdet bør man altid have solidt fodtøj og lange bukser på. Undgå at arbejde med maskinen uden fodtøj eller med åbne sandaler på.
- Opsamlere bør undersøges hyppigt for slitage og forringelse. Hvis maskinen støder mod noget, bør den straks undersøges for skader. En eventuel reparation skal foretages, inden den startes igen.
- Hvis maskinen begynder at vibrere unormalt, bør dette straks undersøges nærmere.

#### 3.5 TRANSPORT

- Kontroller, at skærestålene er fastmonteret i transportstilling. Må ikke transporteres med roterende klippemekanisme.
- Under kørslen skal der tages hensyn til vejens og overfladens art, tillige med skråninger og lokale undulationer.
- Pludselig hastighedsnedsættelse eller opbremsning kan få baghjulene til at løfte sig fra jorden.
- Husk, at stabiliteten i maskinens bagende reduceres, efterhånden som brændstoffet bliver brugt.

### **3 SIKKERHEDSREGLER**

#### **3.6 SÅLEDES FORLADER MAN KØREPOSITIONEN**

- Parker maskinen på et jævnt område.
- Inden man forlader kørepositionen, skal man slukke for motoren og kontrollere, at alle bevægelige dele er faststående. Slå bremsen i og udryk alle drevene. Tag startnøglen ud af tændingen.

#### **3.7 SKRÅNINGER**

##### **VÆR ISÆR FORSIGTIG UNDER ARBEJDE PÅ SKRÅNINGER**

- Lokale undulationer og fordybninger ændrer skråningens almindelige udseende. Undgå jordforhold, som kan få maskinen til at glide. Maskinens kørehastighed bør holdes nede på skråninger, og når der drejes skarpt.
- Pludselig hastighedsnedsættelse eller opbremsning kan få baghjulene til at løfte sig fra jorden.
- Husk, at der er ingen skråninger, der er "sikre".
- Ved kørsel på græsskråninger skal der udvises stor forsigtighed for ikke at risikere at vælte.

##### **MASKINEN MÅ IKKE ANVENDES PÅ HÆLDNINGER, DER ER STØRRE END 15°.**

**VIGTIGT:** Under arbejde på enhver skråning skal kraftoverføringen indstilles, hvis den er monteret, til sin maksimumsindstilling (+).

#### **3.8 BLOKEREDE KNIVCYLINDERE**

- Stands motoren og kontrollér, at alle bevægelige dele står stille.
- Håndbremsen skal trækkes an og alle drev kobles fra.
- Blokeringer løsnes med stor forsigtighed. Sørg for, at ingen del af kroppen befinder sig i nærheden af skæret. Husk, at der somme tider er kraft tilbage i drevet, som kan give rotation, når blokeringen frigøres.
- Sørg for, at ingen er i nærheden af skærene, da rotation i blot én cylinder kan få alle de andre til at rotere også.

#### **3.9 JUSTERINGER, SMØRING OG VEDLIGEHOLDELSE**

- Stands motoren og kontrollér at alle bevægelige dele står stille.
- Håndbremsen skal trækkes an, og alle drev kobles fra.
- Læs alle relevante betjeningsanvisninger.
- Benyt altid kun reservedele, som er leveret af den oprindelige fabrikant.
- Ved justering af knivcylindrene skal man passe på ikke at få hænder og fødder i klemme, når cylindrene drejes rundt.

- Kontroller, at uvedkommende ikke har adgang til skærene, da rotation i blot én cylinder kan få alle de andre til at rotere også.
- For at reducere brandfaren bør motoren, lyddæmperen og batterikammeret holdes fri for græs, blade og større mængder fedt.
- Af sikkerhedshensyn bør slidte og beskadigede dele udskiftes.
- Når der arbejdes under løftede dele eller maskiner, skal man sørge for tilstrækkelig understøtning.
- Maskinen må ikke demonteres, medmindre man først har udløst eller begrænset eventuelle kræfter, som kan få delene til pludseligt at bevæge sig.
- Motorens hastighed må ikke overskride maksimalfarten i motorspecifikationen. Lad være med at ændre motorens regulatorindstillinger eller give motoren for stor omdrejningshastighed.
- Under påfyldning af brændstof **SKAL MAN STANDSE MOTOREN, OG RYGNING ER FORBUDT**. Påfyld benzin inden motoren startes - aldrig mens den er i gang.
- Brug en tragt til at hælde brændstof fra dunken i tanken.
- Undgå at fylde benzintanken mere end til bunden af påfyldningsstuds.
- Alle dæksler på benzintank og beholdere bør sættes forsvarligt på igen.
- Benzin bør kun opbevares i beholdere, der er specielt beregnet til formålet.
- Benzinpåfyldning bør kun foregå udendørs. Ingen tobaksrygning under påfyldningen.
- Hvis der spildes benzin, må man ikke forsøge at starte motoren, og maskinen bør flyttes væk fra det pågældende område. Undgå at skabe nogen form for antændelseskilder, før benzindampene er forsvundet.
- Lad motoren køle af, inden den anbringes på et indelukket sted.
- Maskinen bør aldrig opbevares med benzin i tanken i en bygning, hvor dampene kan komme i kontakt med åben ild eller gnister.
- Hvis tanken skal tømmes, skal dette gøres udendørs.
- Pas på ikke at spilde brændstof på varme komponenter.
- **DER MÅ IKKE RYGES** under eftersyn af batterierne, og åbne flammer skal undgås.
- Der må ikke anbringes metalgenstande over terminalerne.

### 3 SIKKERHEDSREGLER

**FARE** - Angiver en overhængende faresituation, som, hvis den ikke undgås, **VIL** forårsage dødsfald eller alvorlig personskade.

**ADVARSEL** – Angiver en potentiel faresituation, som, hvis den ikke undgås, **KAN** forårsage dødsfald eller alvorlig personskade.

**FORSIGTIG** – Angiver en potentiel faresituation, som, hvis den ikke undgås, **KAN** forårsage mindre personskade eller ejendomsbeskadigelse. Bruges også til at advare mod farlig arbejdspraksis.

**VIGTIGT:** Normal kørselshastighed er kun beregnet for kørsel på offentlige veje og må ikke vælges for kørsel på græsområder, grusveje eller stier.



**ADVARSEL**



Hydraulikvæske, der undslipper under tryk, kan gennemtrænge huden og forårsage alvorlig skade. Der skal straks søges lægehjælp.

**4    TEKNISKE DATA**

**MAGNA 250.**

**KONSTRUKTION**

Svejset højpræstationskonstruktion af presset stål.

**CYLINDER:**

Diameter:	254mm
Klippebredde:	762mm
Antal knive:	4, 6 og 8
Klippehøjde	12,7mm - 61mm

**SPORT 200**

**KONSTRUKTION**

Svejset højpræstationskonstruktion af presset stål.

**CYLINDER:**

Diameter:	197 mm
Klippebredde	762mm
Antal knive:	4, 6, 8 og 11
Klippehøjde	
Fastsiddende hovede:	12,7mm - 89mm
Flydende hovede	
Standardblad:	12,7mm - 35,7 mm
Tyndt blad:	9mm - 32mm

**MAGNA 250 OG SPORT 200**

**JUSTERING AF KLIPPEHØJDE**

Justérbart skruesystem på bageste rulle. (MAGNA 250 & SPORT 200)

Fastsiddende forrulle. (SPORT 200 Flydende hovede)

**BAGESTERULLE**

Udelt fuldbredderulle, diameter 76mm, som løber på koniske rullelejer, med akseltætninger og smørenipler.

**FORRESTERULLE**

Slidset fuldbredderulle, diameter 76mm, som løber på koniske rullelejer, med akseltætninger og smørenipler.

**NEDERSTE BLOK OG BLAD**

Udskifteligt blad, monteret på nederste blok, konstrueret af stål.

**KRAFTOVERFØRING**

Fra hydraulisk motor via tanddrivrem til klippecylinder.  
Eller fra hydraulisk motor via kardanaksel til klippecylinder.

**RANSOMES SPORT 200 & MAGNA 250 CUTTING UNITS  
SIKKERHEDS-, BRUGER-, VEDLIGEHOLDELSESVEJLEDNING OG  
RESERVEDELSLISTE**

**4 TEKNISKE DATA**

**EC Declaration of Incorporation** • **Déclaration de constitution CE**  
**EG Verklaring van Conformiteit** • **EG Einbauerklärung**  
**Dichiarazione di costituzione CE** • **EF Erklæring om overholdelse af standard**  
**Överensstämmelse med EU:s regler** • **EY-liitântädeklaraatio**  
**Declaración de Incorporación de la CE**

We the undersigned • Nous, soussignés • Wij, de ondergetekenden •  
 Wir, die Unterzeichneten • Noi sottoscritti • Undertegnede • Nedanstående företag •  
 Me allekirjoittaneet • Nosotros, los abajo firmantes:

**Ransomes Jacobsen Limited**  
**Central Avenue, Ransomes Europark, Ipswich, England, IP3 9QG**

Certify that the cutting unit • Certifions que le bloc de coupe • Verklaren hierbij dat de maai-eenheid • Bescheinigen, daß die Schneidanlage • Certifichiamo che il gruppo di taglio • Attesterer herved at dette klippeaggregat, • Intygat att klippenheten • Vakuutamme, että leikkuulaite • Certificamos que la unidad cortadora

Make • Marque • Merk • Fabrikat • Marca • Fabrikat • Märke • Merkki • Marca: **Ransomes**

Product Code	Series	Description
LMAB751	AF	Magna 250, 6 Knife, Fixed Head, Spanner HOC, Handwheel on Cut Adjustment
LMAB752	AG	Magna 250, 6 Knife, Fixed Head, Spanner HOC, Handwheel on Cut Adjustment
LMAB753	AH	Magna 250, 6 Knife, Fixed Head, Spanner HOC, Handwheel on Cut Adjustment
LMAB755	AT	Magna 250, 8 Knife, Fixed Head, Spanner HOC, Handwheel on Cut Adjustment
LMAB756	AU	Magna 250 8 Knife, Fixed Head, Spanner HOC, Handwheel on Cut Adjustment
LMAB757	AV	Magna 250 8 Knife, Fixed Head, Spanner HOC, Handwheel on Cut Adjustment
LMAB829	AW	Sport 200 8 Knife, Floating Head, Spanner HOC, Handwheel on Cut Adjustment
LMAB830	AX	Sport 200 8 Knife, Floating Head, Spanner HOC, Handwheel on Cut Adjustment
LMAB831	AY	Sport 200 8 Knife, Floating Head, Spanner HOC, Handwheel on Cut Adjustment
LMAB833	AZ	Sport 200 11 Knife, Floating Head, Spanner HOC, Handwheel on Cut Adjustment
LMAB834	BA	Sport 200 11 Knife, Floating Head, Spanner HOC, Handwheel on Cut Adjustment
LMAB835	BB	Sport 200 11 Knife, Floating Head, Spanner HOC, Handwheel on Cut Adjustment
LMAB789	BC	Sport 200 6 Knife, Fixed Head, Spanner HOC, Handwheel on Cut Adjustment
LMAB790	BD	Sport 200 6 Knife, Fixed Head, Spanner HOC, Handwheel on Cut Adjustment
LMAB791	BD	Sport 200 6 Knife, Fixed Head, Spanner HOC, Handwheel on Cut Adjustment

Conforms to the Harmonised standard • Est conforme à la norme • Voldoet aan de Standaard •  
 Mit der Norm • E' conforme allo standard • Overholder den standard • överstämmer med den standarden •  
 Noudattaa standardia • Conformata con la norma:

**EN836**

This cutting unit has been designed to be fitted to the • Ce bloc de coupe a été conçu pour se monter sur • Deze maai-eenheid werd ontworpen om te worden gemonteerd op de • übereinstimmt. Diese Schneidanlage wurde zur Installation in • Questo gruppo di taglio è stata progettato per essere installato su • Dette klippeaggregat er beregnet til montering på • Denna klippenhet är avsett att monteras på • Tämä leikkuulaite on suunniteltu sopimaan seuraavaan • Esta unidad cortadora ha sido diseñada para su montaje en:

**Commander 3520 series ZE**

  
**T. Lansdell**  
 Managing Director

Certificate Number: **Com3520ZE-Incorp (rev.2)**



**RANSOMES SPORT 200 & MAGNA 250 CUTTING UNITS  
SIKKERHEDS-, BRUGER-, VEDLIGEHOLDELSESVEJLEDNING OG  
RESERVEDELSLISTE**

**4 TEKNISKE DATA**

**EC Declaration of Incorporation** • **Déclaration de constitution CE**  
**EG Verklaring van Conformiteit** • **EG Einbauerklärung**  
**Dichiarazione di costituzione CE** • **EF Erklæring om overholdelse af standard**  
**Överensstämmelse med EU:s regler** • **EY-liitäntädeklaraatio**  
**Declaración de Incorporación de la CE**

We the undersigned • Nous, soussignés • Wij, de ondergetekenden •  
 Wir, die Unterzeichneten • Noi sottoscritti • Undertegnede • Nedanstående företag •  
 Me allekirjoittaneet • Nosotros, los abajo firmantes:

**Ransomes Jacobsen Limited**  
**Central Avenue, Ransomes Europark, Ipswich, England, IP3 9QG**

Certify that the cutting unit • Certifions que le bloc de coupe • Verklaren hierbij dat de maai-eenheid • Bescheinigen, daß die Schneidanlage • Certifichiamo che il gruppo di taglio • Attesterer herved at dette klippeaggregat, • Intygat att klippenheten • Vakuutamme, että leikkulaite • Certificamos que la unidad cortadora

Make • Marque • Merk • Fabrikat • Marca • Fabrikat • Märke • Merkki • Marca: **Ransomes**

Product Code	Series	Description
LMAB577	WK	Sport 200 4 Knife, Fixed Head, Standard Roll, Spanner Adjustment
LMAB578	WL	Sport 200 4 Knife, Fixed Head, Standard Roll, Spanner Adjustment
LMAB546	WM	Sport 200 4 Knife, Fixed Head, Disposable Roll, Spanner Adjustment
LMAB548	WN	Sport 200 4 Knife, Fixed Head, Disposable Roll, Spanner Adjustment
LMAB579	WP	Sport 200 4 Knife, Fixed Head, Standard Roll, Spanner HOC, Handwheel on Cut Adjustment
LMAB580	WQ	Sport 200 4 Knife, Fixed Head, Standard Roll, Spanner HOC, Handwheel on Cut Adjustment
LMAB549	WR	Sport 200 4 Knife, Fixed Head, Disposable Roll, Spanner HOC, Handwheel on Cut Adjustment
LMAB550	WS	Sport 200 4 Knife, Fixed Head, Disposable Roll, Spanner HOC, Handwheel on Cut Adjustment
LMAB581	WT	Sport 200 6 Knife, Fixed Head, Standard Roll, Spanner Adjustment
LMAB582	WU	Sport 200 6 Knife, Fixed Head, Standard Roll, Spanner Adjustment
LMAB551	WV	Sport 200 6 Knife, Fixed Head, Disposable Roll, Spanner Adjustment
LMAB552	WVW	Sport 200 6 Knife, Fixed Head, Disposable Roll, Spanner Adjustment
LMAB583	WX	Sport 200 6 Knife, Fixed Head, Standard Roll, Spanner HOC, Handwheel on Cut Adjustment
LMAB584	WY	Sport 200 6 Knife, Fixed Head, Standard Roll, Spanner HOC, Handwheel on Cut Adjustment
LMAB553	WZ	Sport 200 6 Knife, Fixed Head, Disposable Roll, Spanner HOC, Handwheel on Cut Adjustment
LMAB554	XA	Sport 200 6 Knife, Fixed Head, Disposable Roll, Spanner HOC, Handwheel on Cut Adjustment
LMAB445	XT	Sport 200 11 Knife Floating Head, Standard Roll, Handwheel Adjustment
LMAB446	XU	Sport 200 11 Knife Floating Head, Standard Roll, Handwheel Adjustment

Conforms to the Harmonised standard • Est conforme à la norme • Voldoet aan de Standaard •  
 Mit der Norm • E' conforme allo standard • Overholder den standard • överstämmer med den standarden •  
 Noudattaa standardia • Conformata con la norma:

**EN836**

This cutting unit has been designed to be fitted to the • Ce bloc de coupe a été conçu pour se monter sur • Deze maai-eenheid werd ontworpen om te worden gemonteerd op de • übereinstimmt. Diese Schneidanlage wurde zur Installation in • Questo gruppo di taglio è stata progettato per essere installato su • Dette klippeaggregat er beregnet til montering på • Denna klippenhets är avsett att monteras på • Tämä leikkulaite on suunniteltu sopimaan seuraavaan • Esta unidad cortadora ha sido diseñada para su montaje en:

**Highway 2130 series WJ, CS, CU, DK**

  
 T. Lansdell  
 Technical Director

Certificate Number: **HW2130WJ-Incorp (rev.2)**

**RANSOMES SPORT 200 & MAGNA 250 CUTTING UNITS  
SIKKERHEDS-, BRUGER-, VEDLIGEHOLDELSESVEJLEDNING OG  
RESERVEDELSLISTE**

**4 TEKNISKE DATA**

**EC Declaration of Incorporation** • **Déclaration de constitution CE**  
**EG Verklaring van Conformiteit** • **EG Einbauerklärung**  
**Dichiarazione di costituzione CE** • **EF Erklæring om overholdelse af standard**  
**Överensstämmelse med EU:s regler** • **EY-liitäntädeklaraatio**  
**Declaración de Incorporación de la CE**

We the undersigned • Nous, soussignés • Wij, de ondergetekenden •  
 Wir, die Unterzeichneten • Noi sottoscritti • Undertegnede • Nedanstående företag •  
 Me allekirjoittaneet • Nosotros, los abajo firmantes:

**Ransomes Jacobsen Limited**  
**Central Avenue, Ransomes Europark, Ipswich, England, IP3 9QG**

Certify that the cutting unit • Certifions que le bloc de coupe • Verklaren hierbij dat de maai-eenheid • Bescheinigen, daß die Schneidanlage • Certifichiamo che il gruppo di taglio • Attesterer herved at dette klippeaggregat, • Intygar att klippenheten • Vakuutamme, että leikkuulaite • Certificamos que la unidad cortadora

Make • Marque • Merk • Fabrikat • Marca • Fabrikat • Märke • Merkki • Marca: **Ransomes**

Product Code	Series	Description
LMAB751	AF	Magna 250, 6 Knife, Fixed Head, Spanner HOC, Handwheel on Cut Adjustment
LMAB752	AG	Magna 250, 6 Knife, Fixed Head, Spanner HOC, Handwheel on Cut Adjustment
LMAB753	AH	Magna 250, 6 Knife, Fixed Head, Spanner HOC, Handwheel on Cut Adjustment
LMAB755	AT	Magna 250, 8 Knife, Fixed Head, Spanner HOC, Handwheel on Cut Adjustment
LMAB756	AU	Magna 250 8 Knife, Fixed Head, Spanner HOC, Handwheel on Cut Adjustment
LMAB757	AV	Magna 250 8 Knife, Fixed Head, Spanner HOC, Handwheel on Cut Adjustment
LMAB829	AW	Sport 200 8 Knife, Floating Head, Spanner HOC, Handwheel on Cut Adjustment
LMAB830	AX	Sport 200 8 Knife, Floating Head, Spanner HOC, Handwheel on Cut Adjustment
LMAB831	AY	Sport 200 8 Knife, Floating Head, Spanner HOC, Handwheel on Cut Adjustment
LMAB833	AZ	Sport 200 11 Knife, Floating Head, Spanner HOC, Handwheel on Cut Adjustment
LMAB834	BA	Sport 200 11 Knife, Floating Head, Spanner HOC, Handwheel on Cut Adjustment
LMAB835	BB	Sport 200 11 Knife, Floating Head, Spanner HOC, Handwheel on Cut Adjustment
LMAB789	BC	Sport 200 6 Knife, Fixed Head, Spanner HOC, Handwheel on Cut Adjustment
LMAB790	BD	Sport 200 6 Knife, Fixed Head, Spanner HOC, Handwheel on Cut Adjustment
LMAB791	BD	Sport 200 6 Knife, Fixed Head, Spanner HOC, Handwheel on Cut Adjustment

Conforms to the Harmonised standard • Est conforme à la norme • Voldoet aan de Standaard •  
 Mit der Norm • E' conforme allo standard • Overholder den standard • överstämmer med den standarden •  
 Noudattaa standardia • Conformata con la norma:

**EN836**

This cutting unit has been designed to be fitted to the • Ce bloc de coupe a été conçu pour se monter sur • Deze maai-eenheid werd ontworpen om te worden gemonteerd op de • übereinstimmt. Diese Schneidanlage wurde zur Installation in • Questo gruppo di taglio è stata progettato per essere installato su • Dette klippeaggregat er beregnet til montering på • Denna klippenhet är avsett att monteras på • Tämä leikkuulaite on suunniteltu sopimaan seuraavaan • Esta unidad cortadora ha sido diseñada para su montaje en:

**Parkway 2250 Plus series WB**

  
**T. Lansdell**  
 Technical Director

Certificate Number: **PW2250WB-Incorp (rev.2)**

**RANSOMES SPORT 200 & MAGNA 250 CUTTING UNITS**  
**SIKKERHEDS-, BRUGER-, VEDLIGEHOLDELSESVEJLEDNING OG**  
**RESERVEDELSLISTE**

**4 TEKNISKE DATA**

**EC Declaration of Incorporation** • **Déclaration de constitution CE**  
**EG Verklaring van Conformiteit** • **EG Einbauerklärung**  
**Dichiarazione di costituzione CE** • **EF Erklæring om overholdelse af standard**  
**Överensstämmelse med EU:s regler** • **EY-liitântädeklaraatio**  
**Declaración de Incorporación de la CE**

We the undersigned • Nous, soussignés • Wij, de ondergetekenden •  
Wir, die Unterzeichneten • Noi sottoscritti • Undertegnede • Nedanstående företag •  
Me allekirjoittaneet • Nosotros, los abajo firmantes:

**Ransomes Jacobsen Limited**  
**Central Avenue, Ransomes Europark, Ipswich, England, IP3 9QG**

Certify that the cutting unit • Certifions que le bloc de coupe • Verklaren hierbij dat de maai-eenheid • Bescheinigen,  
daß die Schneidanlage • Certifichiamo che il gruppo di taglio • Attesterer herved at dette klippeaggregat, • Intygat att  
klippenheten • Vakuutamme, että leikkuulaite • Certificamos que la unidad cortadora

Make • Marque • Merk • Fabrikat • Marca • Fabrikat • Märke • Merkki • Marca: **Ransomes**

Product Code	Series	Description
LMAB354	UG	Magna 250, 6 Knife, Fixed Head,
LMAB355	UH	Magna 250, 6 Knife, Fixed Head,
LMAB352	UV	Sport 200 8 Knife, Floating Head,
LMAB353	UW	Sport 200 8 Knife, Floating Head,

Conforms to the Harmonised standard • Est conforme à la norme • Voldoet aan de Standaard •  
Mit der Norm • E' conforme allo standard • Overholder den standard • överstämmer med den standarden •  
Noudattaa standardia • Conformata con la norma:

**EN836**

This cutting unit has been designed to be fitted to the • Ce bloc de coupe a été conçu pour se monter sur • Deze maai-  
eenheid werd ontworpen om te worden gemonteerd op de • übereinstimmt. Diese Schneidanlage wurde zur  
Installation in • Questo gruppo di taglio è stata progettato per essere installato su • Dette klippeaggregat er beregnet til  
montering på • Denna klippenhet är avsett att monteras på • Tämä leikkuulaite on suunniteltu sopimaan seuraavaan •  
Esta unidad cortadora ha sido diseñada para su montaje en:

**Hydraulic 3400 series UD & Hydraulic 4650 series UC**

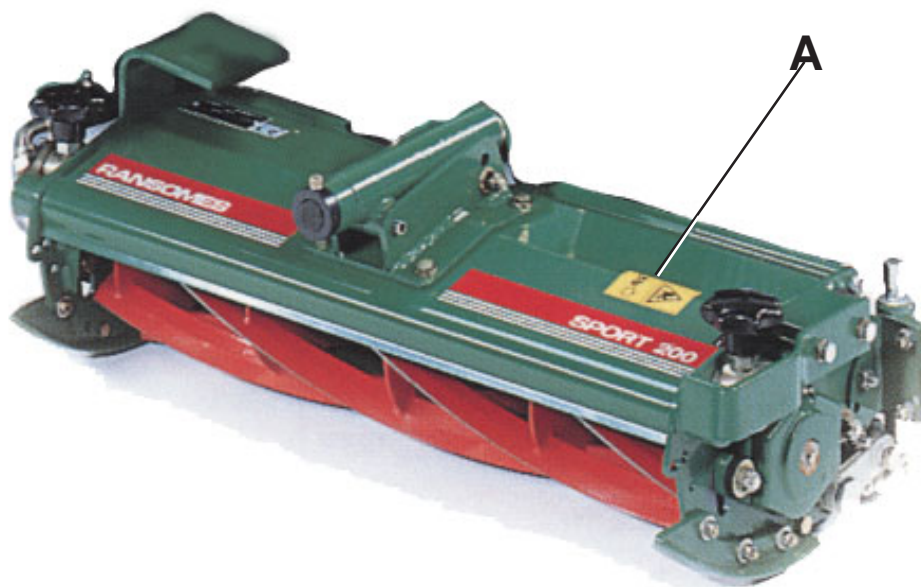


T. Lansdell  
Technical Director

Certificate Number: **3400-UD-4650-UC-Incorp (rev.2)**



A = 009034940Cation rotating blades



## MONTERING AF ENHEDEN PÅ MASKINEN



*Læs sikkerhedsinstruktionerne*

Montering af enheden på maskinen er beskrevet i driftinstruktionsbogen for kraftaggregatet.

## ENHEDENS DRIFT



*Læs sikkerhedsinstruktionerne*

Drift af enheden er beskrevet i driftinstruktionsbogen for kraftaggregatet.



Læs sikkerhedsinstruktioner

**Nedenstående dele skal smøres med Shell Darina R2 fedt.**

Klippecylinderlejer	ugentligt eller med 50 timers mellemrum (A Fig. 1)
Rullelejer	Ugentligt eller med 50 timers mellemrum (B Fig. 2)
Enhedstap	Ugentligt eller med 50 timers mellemrum (C Fig. 3)

Cylinder på klippejusteringsanordningerne. Hvis justeringerne af en eller anden grund bliver afmonteret, skal de fyldes halvt op med gearolie EP90.

#### Smøring af den hydrauliske akselmotor (hver 400 timer)

Sænk alle klippeenhederne ned på den plane jord. Stop motoren, og sørg for, at alle bevægelige dele er stationære, før førerpladsen forlades. Aktivér bremsene, og udkobl alle drev. Fjern tændingsnøglen. Den hydrauliske akselmotor kan fjernes fra klippeenheten ved at afmontere de to skruer og spændeskiver, der fastholder motoren i lejehuset. Træk forsigtigt motoren ud af lejehuset. Det er vigtigt ikke at forurene motorakslen eller knivcylinderens indvendige noter. Hvis de af en eller anden årsag skulle være blevet forurenet, skal de rengøres vha. affedtning. Smør motoren og cylindernoterne grundigt med Shell Malleus JB1 smørefedt (Textron artikelnr. MBE3927) før genmontering.

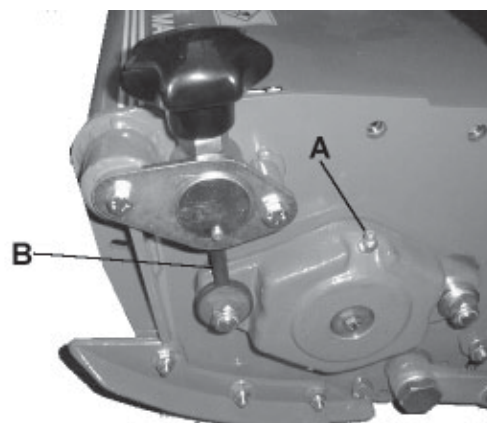


Fig.1

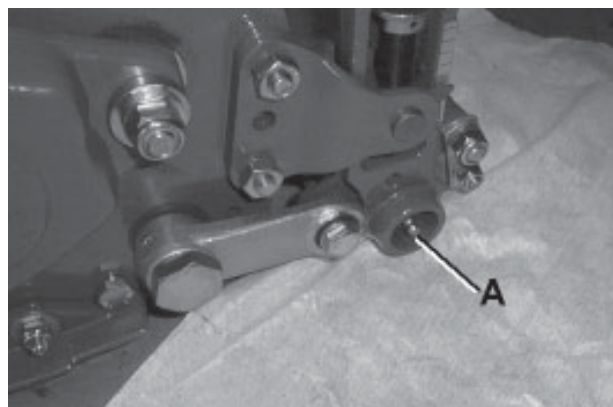


Fig.2

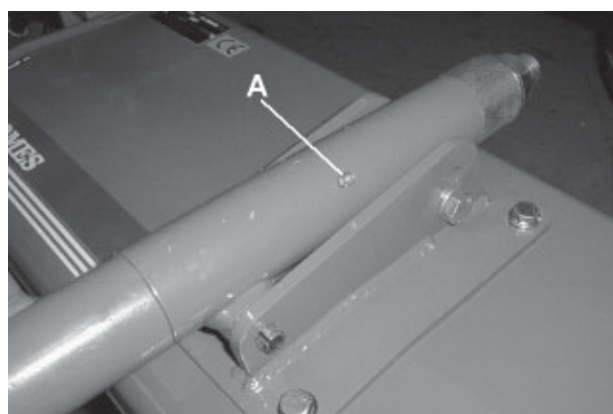


Fig.3



Læs sikkerhedsinstruktionerne

**Check alle bolte og møtrikker med 75 timers mellemrum**

#### **DRIVREMMENSREMTRÆKSENHED**

#### **HYDRAULISK MOTOR TIL KLIPPECYLINDER**

Denne sidder i drivmotorhuset og der kan opnås adgang ved helt at fjerne drifthuset med den hydrauliske motor fra klippeenheten. Ved normal brug skulle det ikke være nødvendigt at justere cylinderens drivrem.

#### **AFMONTERING AF DRIVMOTORHUS**

Hvis drivmotorhuset har behov for vedligeholdelse, skal det først fjernes fra cylinderlejehuset. Dette gøres ved at fjerne to M10 x 45 bolte sammen med almindelige spændeskiver. (Det er vigtigt at disse bolte og spændeskiver bliver benyttet i cylinderlejehuset, eftersom intet andet arrangement giver det samme resultat).

#### **AFMONTERING AF HYDRAULISK MOTOR**

For at afmontere den hydrauliske motor, fjernes boltene som holder motoren til drifthuset. Træk forsigtigt motoren med den påmonterede tandremskive ud af drivmotorhuset og tandremskiven.

#### **AFMONTERING AF DRIVREM**

Afmontering af drivremmen kan nu opnås ved at fjerne den større drevne tandremskive. Tandremskiven kan nu udløses fra drivmotorhuset ved at fjerne 3 skruer, hvorefter drivremmen kan fjernes gennem den store åbning i drivmotorhuset.

#### **OPBEVARING OG HÅNDTERING AF DRIVREM**

Ved opbevaring skal bæltet beskyttes mod fugtighed, ekstreme temperaturer, direkte sollys og miljøer med højt ozonindhold. Drivremmen skal opbevares i sin originalemballage. Skarpe bøjninger eller folder skal undgås, da dette ødelægger drivremmen.

Det er ikke noget problem hvis drivremmen bliver opbevaret i spænd, medens udstyret opbevares. Hvis man måtte ønske det, kan spændingen formindskes. Hvis miljøet er skadeligt, som ovenfor beskrevet, skal udvidet opbevaring af udstyr og drivremmene tages i betragtning.

Korrekt håndtering af flerkæde-drivremmen GT er også vigtigt. På grund af flerkæde-drivremmens høje ydelsesegenskaber, må drivremmen ikke drejes, foldes, vendes opad eller nedad, bøjes eller krølles. Drivremmen må ikke bøjes strammere end den mindste indre remskivediameter, anbefalet for vedkommende tværsnit på indersiden - ca. 60 mm for en deling på 8mm. Bagoverbøjning bør begrænses til to gange den tilladelige

indvendige diameter. Drivremmen må under ingen omstændigheder tvinges eller påsættes et driv med magt.

Drivremmen kan renses ved at den tørres af med en let fugtig klud, tilsat lidt uflygtigt opløsningsmiddel, f.eks. mineralisk terpentin eller parafinolie. Det tilrådes ikke at iblødsætte eller børste et sådant opløsningsmiddel af. Det anbefales derfor heller ikke at slibe eller skrabe drivremmen med en skarp genstand for at fjerne olie eller efterladenskaber. Sådanne metoder med opløsningsmidler skal bruges på remskiverne.

#### **MONTERING AF DRIVREM, HYDRAULISK MOTOR OG DRIVMOTORHUS**

1. Montér tandremmen i drivmotorhuset gennem den store åbning, og pas på ikke på nogen at måde 'krølle' eller 'klemme' remmen. Den hydrauliske motor sammen med tandremskiven skal dernæst samles og det skal sikres at remskivens flange bliver samlet korrekt gennem remmen, hvorved remmen sidder retvinkel på remskivens tænder.

2. Tilslidst samles den store remskiveenhed ved brug af de 3 skruer.

3. Det er bedst at justere remmen efter drivmotorhuset er genmonteret på klippeenheten.

4. Montering af drivmotorhuset på cylinderlejehuset skal udføres på samme måde som AFMONTERING AF DRIVMOTORHuset, men i omvendt orden. Det skal sikres at drivelementet af plastik er kommet fuldstændigt i indgreb mellem drivkløerne på cylinderdrivakslen og remskiven.

#### **DRIVREMSPÆNDING**

De hydrauliske motorspændebolte skal være lige akkurat slappe nok til at den hydrauliske motor kan rotere rundt om sin drejebolt. For at stramme remmen tages fat i den hydrauliske motor og træk opad med en fast hånd, og medens motoren er i denne stilling, strammes spændebolten til, og derefter drejebolten.

#### **DIREKTE DRIVENHED**

#### **FJERNING AF HYDRAULISK MOTOR**

For at fjerne den hydrauliske motor fjernes de to skruer og pakskiver der fastholder motoren til lejehuset. Træk forsigtigt motoren med kardanakslen tilbage.

**BEMÆRK:** Ved afmontering er det vigtigt ikke at forurene kardanakslen eller de indvendige kiler i den hydrauliske motor og klippecylinderaksel. Hvis de af en eller anden grund bliver forurenede, skal de før genmontering renses ved affedtning og derefter smøres med Shell Malleus JB1 fedtstof.



Læs sikkerhedsinstruktionerne

### KLIPPEHØJDE (FIG. 5 & 5)

#### JUSTERING AF HÅNDHJULSTYPEN:

1. Drej justeringshåndhjulet eller den møtrik (A Fig. 4) som sidder på håndhjulet med uret (+) for at få højere klippehøjde, eller mod uret (-) for at få lavere klippehøjde.

2. Det skal sikres at justeringen er ensartet på begge klippeenhedernes indstillere. For at gøre det lettere at opnå ensartet indstilling, sidder der klippeindikatorer (B Fig. 4) på hver ende af rulleenheden.

**BEMÆRK:** Tallene 1 til 9 er kun til referencebrug fra én side af rullen til den anden, og har intet at gøre med klippehøjden med undtagelse af at hver inddeling giver ca. 6.25mm klippehøjdebevægelse for fastsiddende hoved-enheder og 3.75mm forflydende hoved-enheder. Disse indikatorer er indstillet på fabrikken, og når viseren er ens indstillet på begge sider af rullen, er rullen også parallel med bundpladen. Hvis rullen og bundpladen af én eller anden grund ikke er parallelle, kan rullen sættes parallel med bundpladen ved at rotere et af håndhjulene og derefter, med en af indikatorerne indstillet, ved at løsne den lille spændeskruer som ligger i midtpunktet af indikatorpladen, og placere indikatoren på rette plads i relation til viseren som ligger udfor den modsatte ende af rulleenheden.

3. Ingen andre indstillinger er nødvendige.

4. DETTE ER EN SELVLÅSENDE MEKANISKE, OG DET ER DERFOR IKKE NØDVENDIGT AT ÅBNE ELLER LÅSE DEN.

#### JUSTERING AF SKRUENØGLETYPEN (KLIPPEHØJDE):

1. Skru de to skruer ud (78 Fig.5), som holder excenterbøsningen i håndtaget.
2. Drej justeringsskruen (83 Fig.5) bag på enheden med uret for at reducere klippehøjden eller mod uret for at øge klippehøjden.
3. Efter justering spændes skruerne til (78 Fig.5).

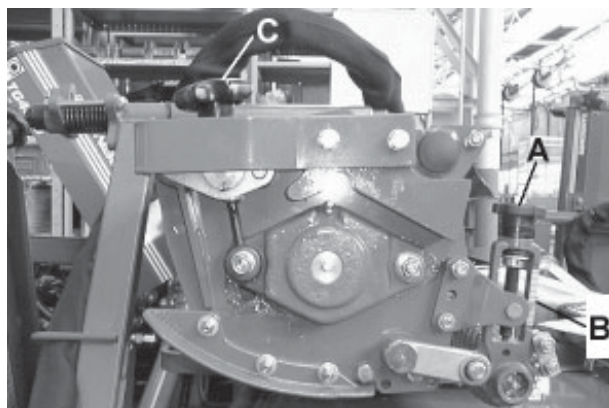


Fig.4

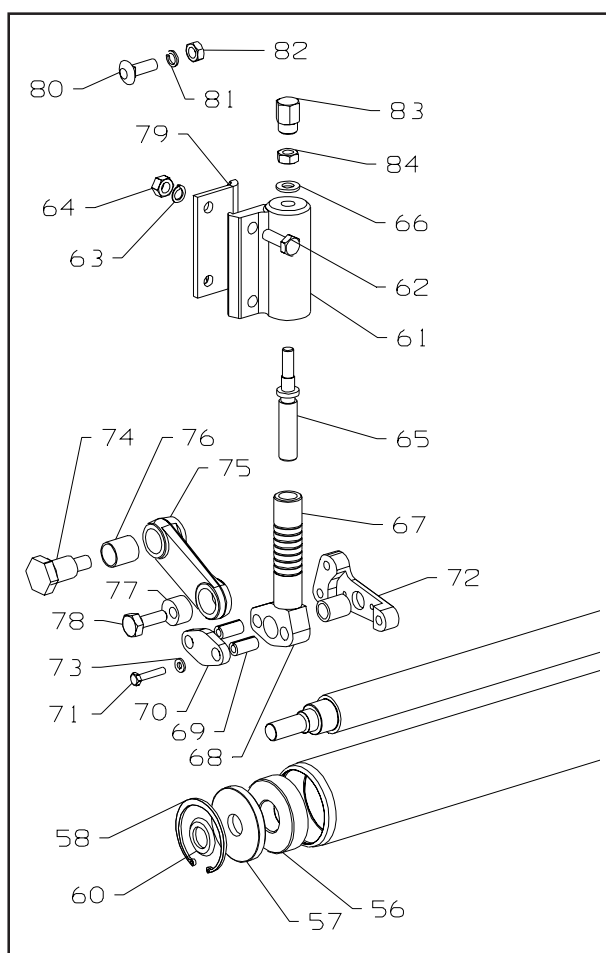


Fig.5



#### YDERLIGERE JUSTERING FOR SPORT 200 MED FASTSIDDENDE HOVEDE

1. Ekstra justering af klippehøjde er indbygget i klippeenhedens midterdrejetap.
2. Ved at indstille den bageste midterdrejebolts position, kan der opnås en klippehøjde på 101mm.

#### INDSTILLING AF FORRESTE RULLE PÅ SPORT 200 MED FLYDENDE HOVEDE.

1. Den højre ende på den forreste rulle sidder fast. For at indstille rullen parallelt med bundpladen, er det nødvendigt at rotere en ekscenterspændemøtrik på lejhusests venstre forreste rulle.
2. Venstre rullens lejhusspændebolte løsnes.
3. For at give rullen den ønskede parallelisme på bundpladen, roteres ekscentermøtrikken.
4. Medens der stadig holdes på ekscentermøtrikken for at undgå rotation, strammes rullens lejhusspændebolte.

#### JUSTERING AF KLIPPECYLINDER TIL NEDERSTE BLAD (FIG. 6)

For at checke at klippecylinderen sidder korrekt på bladet, holdes et stykke tyndt papir mellem bladets kant og spiralknivene. Drej derefter cylinderen manuelt.

Papiret skal være skåret rent langs hele nederste blads længde. Hvis dette ikke er tilfældet, kan yderligere justering være nødvendigt, MEN DER MÅ IKKE STRAMMES FOR HÅRDT. Hvis cylinderen derimod er slidt, kan det være nødvendigt med efterskæring før justering.

#### JUSTERING AF HÅNDHJULSTYPEN:

1. For at justere cylinderen på det nederste blad, drejes håndhjulet med uret og skiftevis til højre og venstre (A Fig. 6) for at blive sat på klipning. Der mærkes en 'hakkende' følelse når håndhjulet bliver roteret med uret, og denne 'hakkende' cylinder bevæger sig i inkremerter på ca. 0.035 mm mod det nederste blad.
2. Den korrekte klippeposition skal udføres med en 'løs' justeringsmekanisme (d.v.s. mellem 'hakkende'). Håndjustering kræver at cylinderen altid bliver drejet mod det nederste blad (d.v.s. håndhjulene roteres med uret) for at opnå det korrekte klippeforhold mellem cylinderen og det nederste blad. CYLINDEREN MÅ ALDRIG STILLES FOR HÅRDT I 'KORTKLIPNINGS'-POSITIONEN. Prøv at opnå det korrekte klippeforhold ved at dreje håndhjulet med uret.

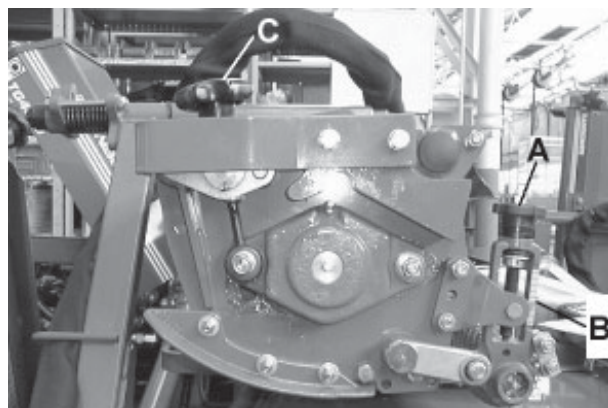


Fig.6



ADVARSEL



#### JUSTERING AF KNIVCYLINDER TIL BUNDKLINGE

#### COMMANDER 3520

For at sikre at klippekredsløbet ikke stadig er under tryk, skal følgende procedure følges.

1. Stop knivcylinderens rotation ved at sætte kontrolhåndtaget i neutral position.
2. Enhederne skal hæves (for at lukke aflederventilerne) og derefter sænkes, hvorefter motoren skal standses.

Klippeenhederne kan nu roteres frit, så det er lettere at indstille cylinderen i forhold til bundklingen.

3. Hvis cylinderen stilles for hårdt i 'kortklipnings'-positionen skal den justeres for at bevæge sig fri fra det nederste blad ved at rotere håndhjulet med uret, og derefter skal den justeres tilbage ned til det nederste blad.

4. DETTE ER EN SELVLÅSENDE MEKANISME, OG DET ER DERFOR IKKE NØDVENDIGT AT LUKKE DEN OP ELLER LÅSE DEN.

#### JUSTERING AF SKRUENØGLETYPEN (CYLINDERJUSTERING):

1. Løs klippecylinderens spændemøtrikker og -skruer (48 Fig.7) på begge sider af enheden, og justér møtrikkern (58 Fig.7) for at tage cylinderen lidt ud af klippeposition, så den kan rotere frit.
2. Justér cylinderen ned til bundkniven på den ene ende af enheden, indtil cylinderens kniv berører bundkniven let. Flyt lidt væk fra justeringen, indtil knivene lige netop går fri af hinanden.
3. Gentag justeringen i den modsatte ende af enheden, indtil cylinderen berører bundkniven.
4. Til sidst skal den først ende af cylinderen justeres ned igen, så den lige netop berører bundkniven.
5. Spænd cylinderlejehusets spændemøtrikker og -skruer (48 Fig.7) godt til.

BEMÆRK. Når ovennævnte medtode anvendes, skulle det være muligt at rotere cylinderen frit i alle justeringens trin.

#### KLIPPECYLINDERLEJER

Klippecylinderlejer er selvjusterende koniske rullelejer og behøver ikke justeringer.

#### RULLERNES FORRESTE OG BAGESTE LEJER

Rullernes lejer er selvjusterende koniske rullelejer og behøver ikke justeringer.

#### GRÆSEDFLEKTOR

Græsdeflektoren kan sættes i rette position med hånden, da den er spændt med friktion af møtrikker (stramning af møtrikkerne forhøjer spændeeffekten).

#### JUSTERING AF VERTICUT SPOLEN

Spolens placering må ikke ændres efter den er blevet indstillet. Hvis der er behov for forandringer i højden, må dette kun udføres ved at bevæge de forreste og bageste ruller. Normalindstilling af knivene skal være således at spidserne er 3mm over jorden. Knivenes spidser MÅ IKKE trænge igennem jordens overflade.

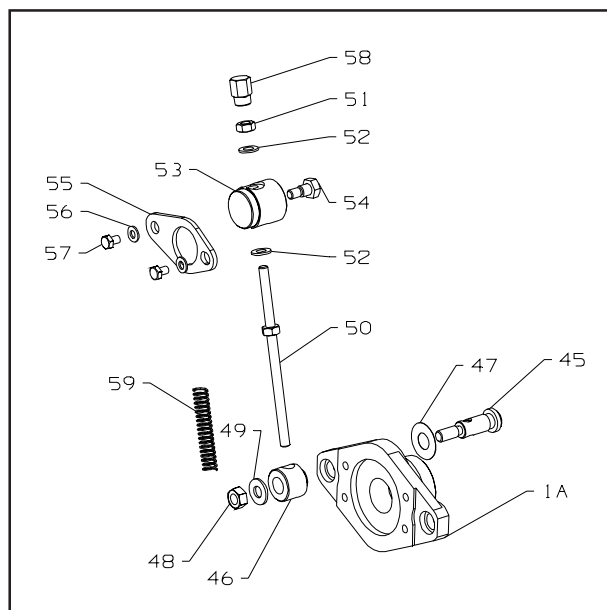


Fig.7

Sådan justerer man:

- (a) Bolten og møtrikken løsnes på forsiden.
- (b) Drej justerordningerne overfor den bageste rulle med uret for at formindske klippehøjden, og mod uret for at øge den.
- (c) Stram møtrikken igen foran slæden.

**9 SERVICE VED SÆSONENS SLUTNING**

---

a. For at fjerne alle ansamlinger af græsstumper og andre efterladenskaber, skal enhederne renses grundigt.

b. Drej klippecylindrene for at rense de skærende kanter.

c. For at undgå rust, tilsættes en lille smule olie på spiralknivene med en børste.

d. For at fordele olien på bundbladene, drejes cylindrene langsomt.

ADVARSEL: Cylindrene må ikke drejes manuelt.

## **GARANTI**

Vi **GARANTERER**, at skulle der opstå defekter i forarbejdning eller materialer inden for **TO ÅR** eller to tusind driftstimer på vor timetæller fra købsdatoen vil vi reparere eller bytte den fejlagtige eller manglende del, efter vort valg, uden at beregne arbejdsomkostninger. Det er en forudsætning, at kravet under denne garanti stilles gennem en autoriseret Ransomes-forhandler, og at den fejlagtige eller manglende del returneres til os eller til forhandleren på forlangende. Denne garanti er i tillæg til, og ekskluderer ikke nogen lovmæssig betingelse eller garanti med undtagelse af at vi ikke påtager os ansvaret for brugte varer eller fejl der efter vor mening på nogen vis eller i nogen grad kan tilskrives misbrug, mangel på rimelig omsorg eller almindelig slidtage, eller monteringen af reservedele, udskiftelige eller ekstra dele, som vi ikke har leveret eller godkendt til dette formål. Brug af olie eller smøremidler som ikke er blevet anbefalet af os, ugyldiggør garantien.

## **SALG OG SERVICE**

Et netværk af autoriserede Salg og Kundeservice-forhandlere er blevet etableret og disse er nærmere beskrevet i en Salg og Kundeservice Vejledning, der er til rådighed fra Deres leverandør. Når der er brug for servicearbejde eller reservedele, indenfor eller efter garantiperioden, bør De kontakte Deres leverandør eller hvilken som helst autoriseret forhandler. Anfør altid maskinens og klippeenhedens registreringsnummer.

Skader, der konstateres ved leveringen, skal meldes øjeblikkeligt til maskinleverandøren.

# RANSOMES SPORT 200 & MAGNA 250 CUTTING UNITS

## SIKKERHEDS-, BRUGER-, VEDLIGEHOLDELSERVEJLEDNING OG

### RESERVEDELSLISTE

#### SÅDAN BRUGES RESERVEDELSMANUALEN

##### ARTIKELNUMMER

Hver reservedel, som er identificeret i illustrationerne har et artikelnummer. Reservedele, som ikke har et artikelnummer, kan ikke umiddelbart identificeres i illustrationen, men er normalt tæt forbundet med den nærmestliggende del.

##### SAMLINGER

En komplet samling, f.eks. hjul- eller hydraulisk motor eller rulleenhed, er opført som en komplet artikel med efterfølgende individuelle komponenter opført separat. Samlingen er opført med reservedelsnummer, hvor reservedelskomponenterne er opført til højre på samme linje, f.eks.:-

ARTIKEL	RESERVEDELS- NUMMER	BESKRIVELSE	KVANTITET	BEMÆRKNINGER
1	LMSD798	Rulleenhed	1	ALLE MASKINER
2	MBB4490	• Rør	1	
3	LMSD926	• Endedækselenhed	2	
4	MBB6851	•• Endedæksel	1	
5	HOO9116	•• Leje	1	
6	MBB2356	• Tætningshus	1	
7	A224016	• Tætning	2	
*	A122192	Skrue	2	

Det er ikke muligt at illustrere hver eneste artikel. For artikler, som er købt af eksterne leverandører, kan det være, at visse reservedelskomponenter ikke er til rådighed fra Ransomes, og det kan derfor være nødvendigt at bestille dem specielt fra leverandøren, d.v.s. Volvo hydrauliske motorkomponenter.

##### KVANTITETER

De anførte kvantiteter er for én samling eller undersamling.

##### HVORDAN RESERVEDELSLISTEN BENYTTES

Bestem den ønskede dels funktion og anvendelsesområde. Gå til hovedindekssiden, og vælg den tilsvarende del. Find delen på illustrationen og reservedelslisten, og aflæs volumenmængden fra den tilsvarende model.

##### NUMERISK INDEKS

Dette er en opstilling over alle de reservedele, der er brugt i manualen, arrangeret i nummerorden, men med det sidenummer og artikelnummer, under hvilken reservedelen fremkommer.

##### BESTILLING AF RESERVEDELE

Når der bestilles reservedele til udskiftning, er det yderst vigtigt at angive maskinens SERIENUMMER, RESERVEDELSNUMMER, BESKRIVELSE og den ønskede KVANTITET.

En hvilken som helst arbitrær modifikation, som udføres på denne maskine, kan ophæve fabrikantens ansvar for enhver resulterende beskadigelse eller personskaade.

##### FORKORTELSER

N/A Ikke tilgængelig

AR Som påkrævet

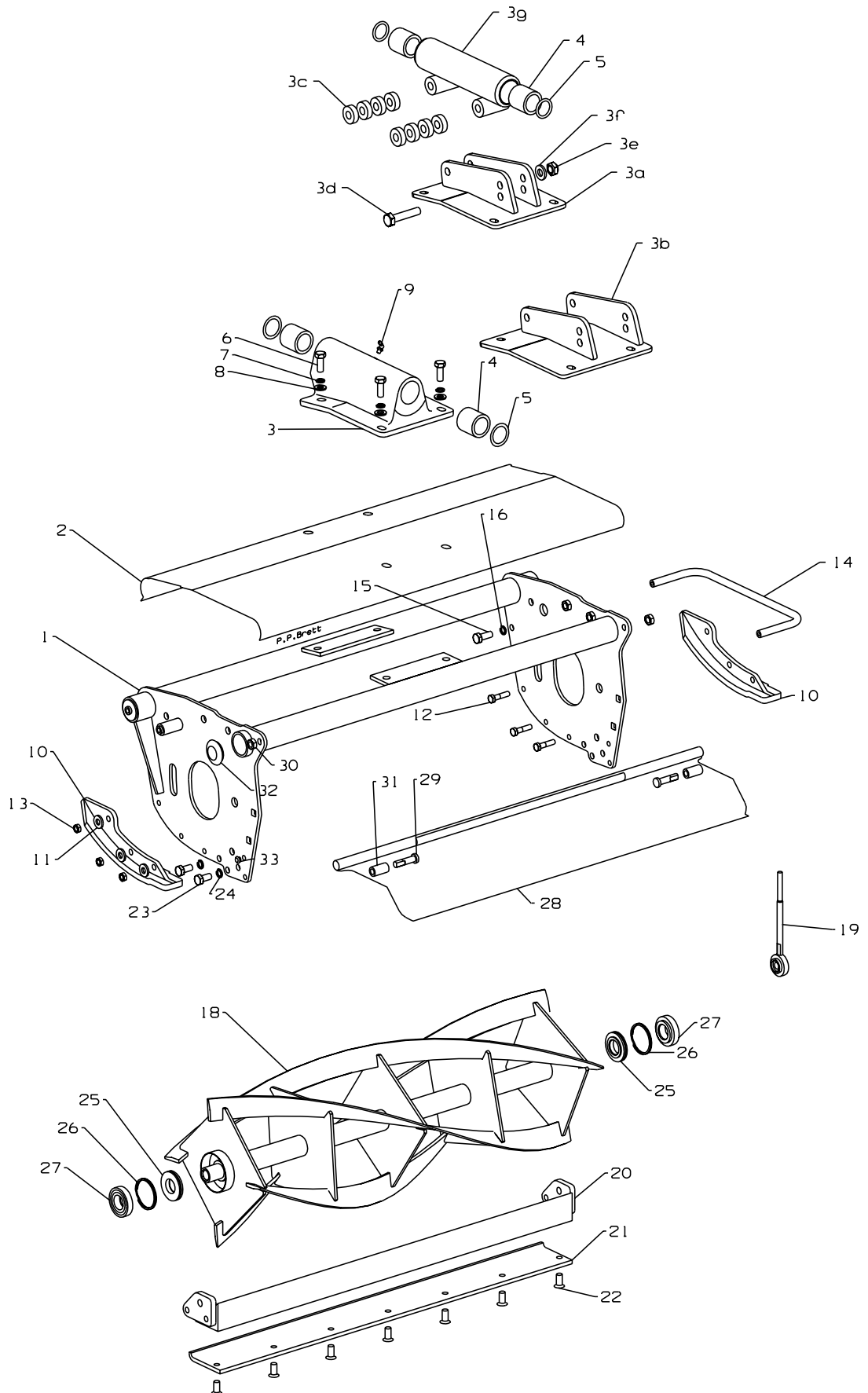


## CONTENTS

	Page
MAIN FRAME,CYLINDER & BOTTOM BLOCK (MAGNA 250) .....	3
MAIN FRAME,CYLINDER & BOTTOM BLOCK (MAGNA 250) .....	5
MAIN FRAME,CYLINDER & BOTTOM BLOCK (SPORT 200) .....	7
MAIN FRAME,CYLINDER & BOTTOM BLOCK (SPORT 200) .....	9
MAIN FRAME,CYLINDER & BOTTOM BLOCK (SPORT 200) .....	11
CYLINDER ADJUSTER & BEARING HOUSINGS .....	13
CYLINDER ADJUSTER & BEARING HOUSINGS .....	15
CYLINDER ADJUSTER & BEARING HOUSINGS .....	17
BELT DRIVE ASSEMBLY .....	19
DIRECT DRIVE MOTOR WITH CARDAN SHAFT .....	21
DIRECT DRIVE MOTOR (BI-DIRECTIONAL) WITH SPLINED SHAFT .....	23
REAR ROLL ASSEMBLY & ADJUSTERS .....	25
REAR ROLL ASSEMBLY & ADJUSTERS .....	27
REAR ROLL ASSEMBLY & ADJUSTERS .....	29
FRONT ROLL ASSEMBLY AND ADJUSTERS .....	31
HIGH HIGHT OF CUT KIT (FRONT) FOR FLOATING HEAD SPORT 200 (COMMANDER 3500, 3510 & 3520) .....	33
MAIN FRAME, VERTICUT. ....	35
CYLINDER ADJUSTER & BEARING HOUSINGS VERTICUT. ....	37
FRONT ROLL ASSEMBLY AND ADJUSTERS FOR VERTICUT. ....	39
HYDRAULIC MOTOR (BELT DRIVE) .....	41

**RANSOMES  
SPORT 200  
MAGNA 250**


---





**MAIN FRAME,CYLINDER & BOTTOM BLOCK (MAGNA 250)**

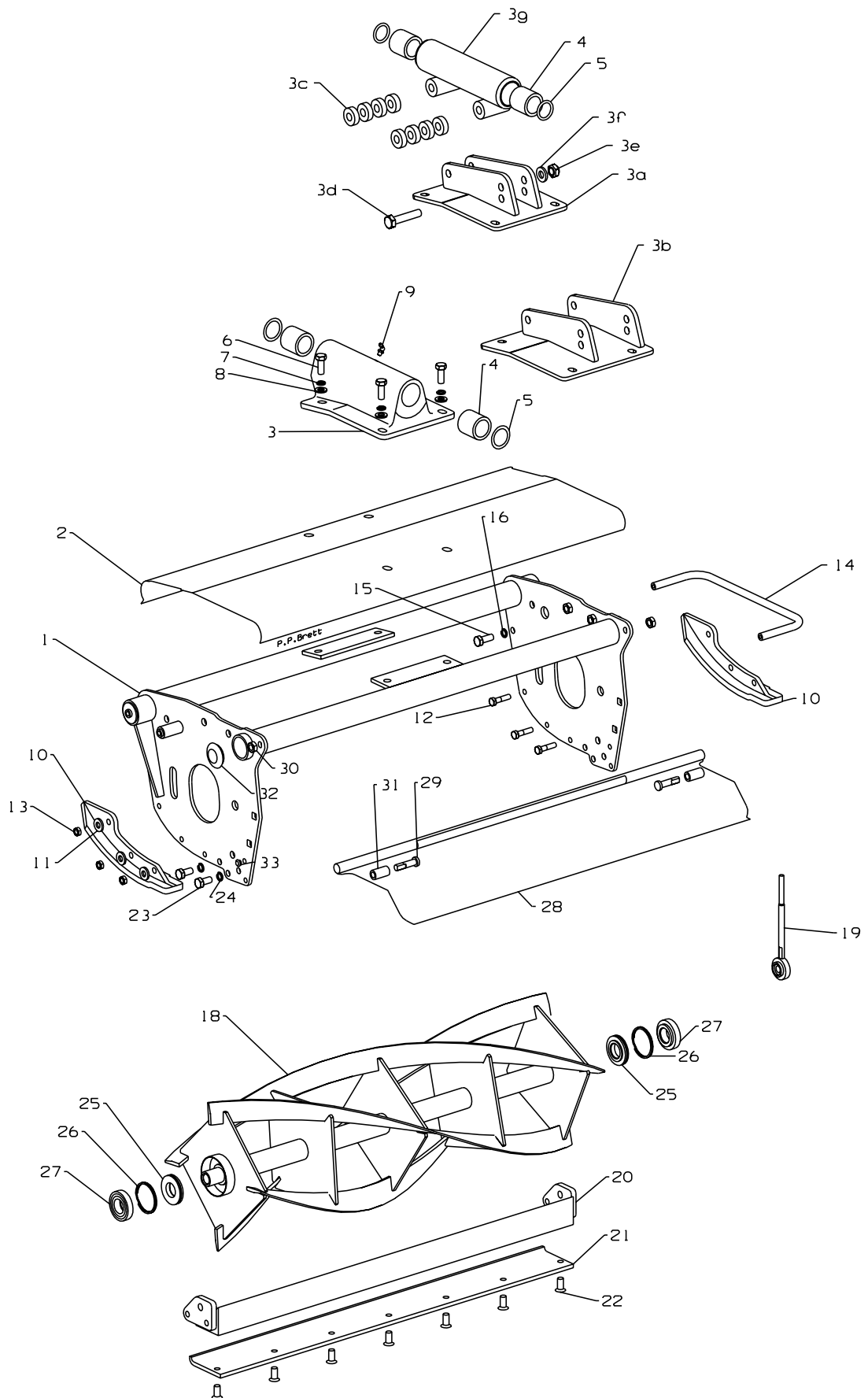
**LIST OF PARTS**

ITEM	RANSOMES PART NO	DESCRIPTION 	QTY	REMARKS	
1	MBC8949B	FRAME ASSEMBLY	1	TG3400 / TG4650 ONLY TG3400 / TG4650 CENTRE UNIT OPTION(OVERLAPADJUSTMENT)	
2	MBC8935A	COVER	1		
3	MBE0021A	PIVOT BRACKET	1		
3A	MBF0683A	PIVOT BRACKET	1		
3B	MBF1297	PIVOT BRACKET	1		
3C	MBG1023	SPACER	8		
3D	450062	BOLT M12 X 130	2		
3E	450380	NUTM12NYLOC	2		
3F	450392	WASHERM12	2		
3G	MBC8414	PIVOT BEARING	1		TG3400 / TG4650 ONLY
4	A219331	BUSH	2		
5	A221321	ORING	2		
6	450026	SCREW M10 X 35	4		
7	450412	S.L.WASHER M10	4		
8	MBE4682	WASHER 10MM	4		
9	A299306	LUBRICATOR	1		
10	MBC8985	SKID	2		
11	A907207	WASHER	6		
12	450014	BOLT M8 X 30	6		
13	450378	STIFFNUT M8	6		
14	MBE2649	BAR	1	220 M28 / PARKWAY 225 / MOTOR 350D MK5/ COMMANDER 3520	
15	A110396	SCREW M8 X 16	1	220 M28 / PARKWAY 225 / MOTOR 350D MK5	
16	A150008	WASHER 8MM	1	220 M28 / PARKWAY 225 / MOTOR 350D MK5	
18	MBC8391B	CYLINDER 4K	1	220 M28 / PARKWAY 225 / MOTOR 350D MK5	
18*	MBE4102	CYLINDER 4K	1	COMMANDER 3500DX / 3510	
18*	MBF1412	CYLINDER 4K	1	HIGHWAY2130/PARKWAY2250+/ COMMANDER 3520	
18*	MBF0565	CYLINDER 6K	1	HIGHWAY2130/PARKWAY2250+	
18*	MBC8392B	CYLINDER 6K	1	220 M28 / PARKWAY 225 / MOTOR 350D MK5111	
18*	MBE2230	CYLINDER 6K	1	COMMANDER 3500DX / 3510	
18*	MBF0565A	CYLINDER 6K	1	PARKWAY 2250 / TG 3400 & 4650 COMMANDER 3520	

\*NOT ILLUSTRATED


**RANSOMES  
SPORT 200  
MAGNA 250**

---



**MAIN FRAME,CYLINDER & BOTTOM BLOCK (MAGNA 250)**

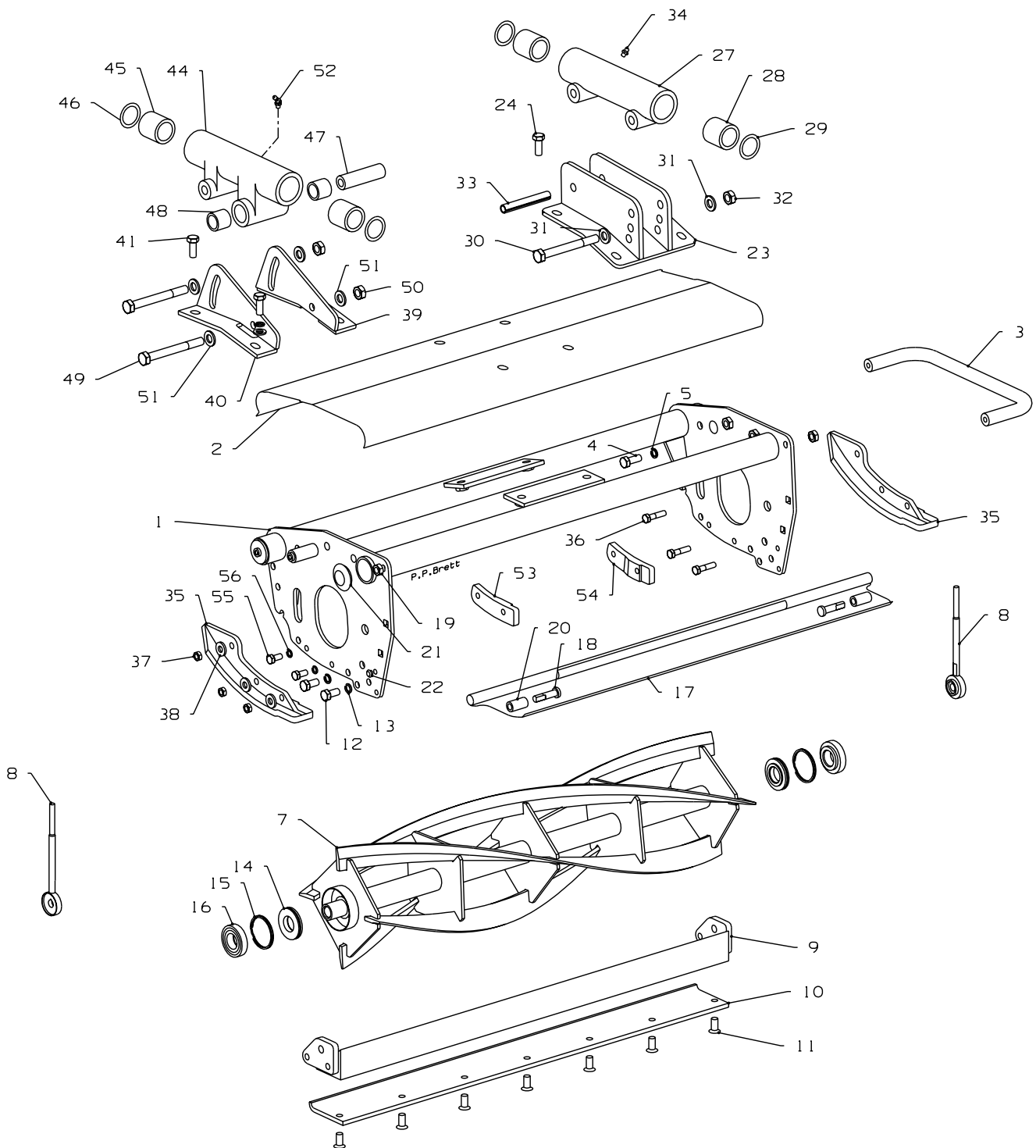
**LIST OF PARTS**

ITEM	RANSOMES PART NO	DESCRIPTION 	QTY	REMARKS
18*	MBE2250	CYLINDER 8K	1	220 M28 / PARKWAY 225 / MOTOR 350D MK5
18*	MBE4103	CYLINDER 8K	1	COMMANDER 3500DX / 3510
18*	MBF2024	CYLINDER 8K	1	PARKWAY 2250 PLUS COMMANDER 3520
19	MBE0270	ADJUSTING ROD	2	
20	MBE1150	BOTTOM BLOCK ASSY	1	
20		• BOTTOM BLOCK	1	
21	MBA7024A	• BOTTOM BLADE	1	
22	A119000	• SCREW 3/8" X 11/16"	7	
23	450213	SCREW M10 X 20	4	
24	450412	S.L.WASHER 10MM	4	
25	MBE1185	RING CARRIER	2	220 M28 / MOTOR 350D MK5 / PARKWAY 225
25*	MBE2231	RING CARRIER	2	COMMANDER 3500DX/3510/3520 TG 3400 & 4650 / PARKWAY 2250 PARKWAY 2250 + / HIGHWAY 2130
26	A230021	SEAL RING	2	220 M28 / MOTOR 350D MK5 / PARKWAY 225
26*	A230013	SEAL RING	2	COMMANDER 3500DX/3510/3520 TG 3400 & 4650 / PARKWAY 2250 PARKWAY 2250 + / HIGHWAY 2130
27	A205902	BEARING	2	220 M28 / MOTOR 350D MK5 / PARKWAY 225
27*	A209044	BEARING	2	COMMANDER 3500DX/3510/3520 TG 3400 & 4650 / PARKWAY 2250 PARKWAY 2250 + / HIGHWAY 2130
28	MBC9586A	DEFLECTOR (LONG)	1	MOTOR 350D / PARKWAY 225
28*	MBC8328D	DEFLECTOR (SHORT)	1	MOTOR 350D / PARKWAY 225
29	MBC8956A	BOLT X	2	MOTOR 350D / PARKWAY 225
30	450379	STIFFNUT M10	2	MOTOR 350D / PARKWAY 225
31	A298383	SPACER	2	MOTOR 350D / PARKWAY 225
32	A295274	PLASTIC PLUG	2	
33	A295286	ROUND INSERT	2	PARKWAY 225
34*	A903468	LABEL - (-<->+)	4	
35*	A903816	LABEL - RANSOMES	1	
36*	A903817	LABEL - MAGNA 250	1	
37*	A903494	LABEL - DANGER -	1	CUTTING CYLINDER

\* NOT ILLUSTRATED


**RANSOMES  
SPORT 200  
MAGNA 250**

---



**MAIN FRAME,CYLINDER & BOTTOM BLOCK (SPORT 200)**

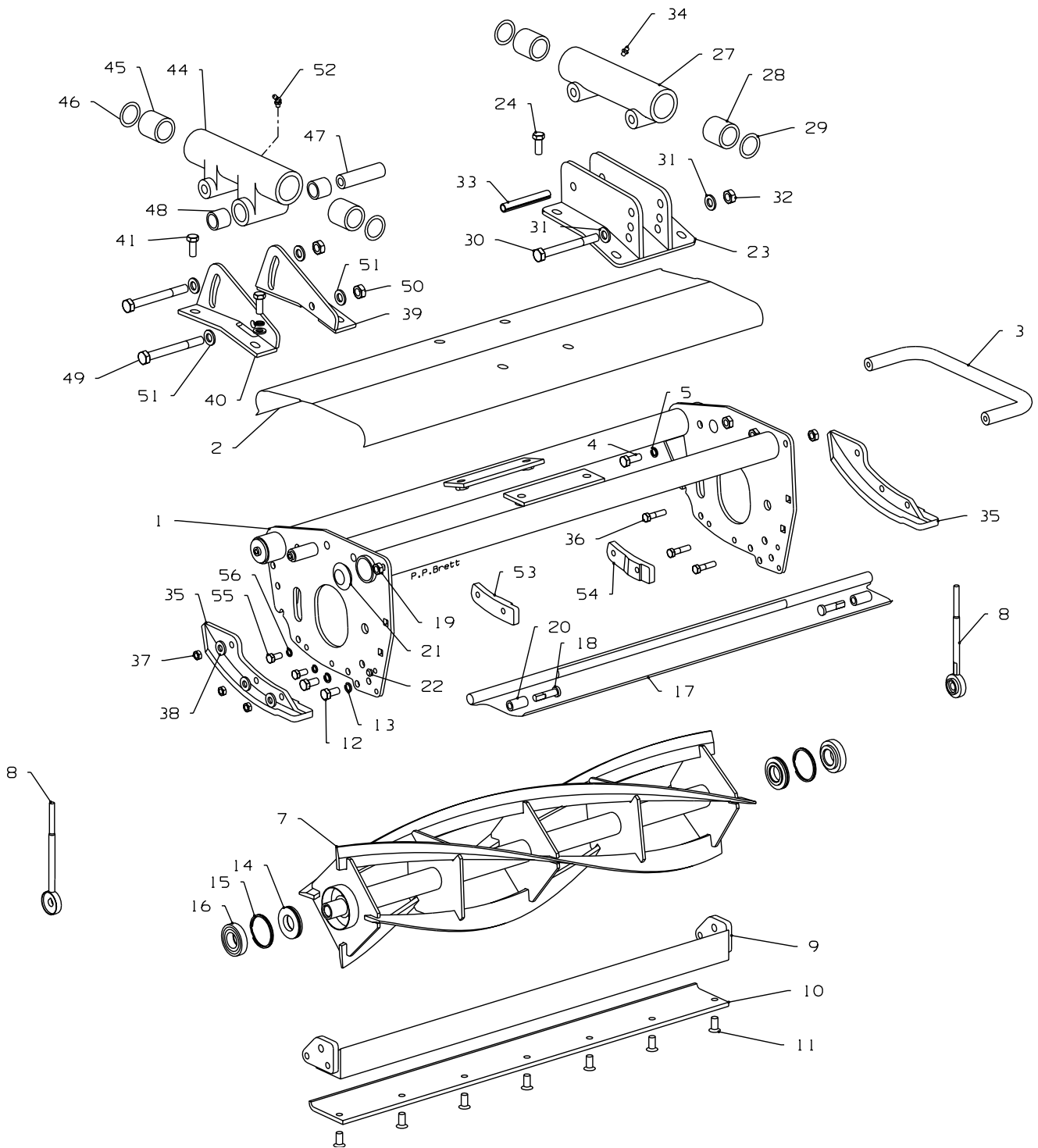
**LIST OF PARTS**

ITEM	RANSOMES PARTNO	DESCRIPTION 	QTY	REMARKS
1	MBC8950B	FRAME ASSEMBLY	1	
2	MBC8936A	COVER	1	
3	MBCE2649	BAR	1	220 M28 / PARKWAY 225 / MOTOR 350D MK5 COMMANDER 3520
4	450190	SCREW M8 X 16	1	220 M28 / PARKWAY 225 / MOTOR 350D MK5
5	450396	WASHER 8MM	1	220 M28 / PARKWAY 225 / MOTOR 350D MK5
7	MBE0476A	CYLINDER 4K	1	220 M28 / PARKWAY 225 / MOTOR 350D MK5
7*	MBE4104	CYLINDER 4K	1	COMMANDER 3500DX / 3510
7*	MBF1466	CYLINDER 4K	1	HIGHWAY2130/PARKWAY2250+ COMMANDER 3520
7*	MBF1264	CYLINDER 6K	1	HIGHWAY2130/PARKWAY2250+ COMMANDER 3520
7*	MBC8390B	CYLINDER 6K	1	220 M28 / PARKWAY 225 / MOTOR 350D MK5
7*	MBE4105	CYLINDER 6K	1	COMMANDER 3500DX / 3510
7*	MBC8388B	CYLINDER 8K	1	220 M28 / PARKWAY 225 / MOTOR 350D MK5
7*	MBE4106	CYLINDER 8K	1	COMMANDER 3500DX / 3510
7*	MBF0566A	CYLINDER 8K	1	PARKWAY 2250 / TG 3400 & 4650/COMMANDER 3520
7*	MBC8389B	CYLINDER 11K	1	220 M28 / PARKWAY 225 / MOTOR 350D MK5
7*	MBE4109	CYLINDER 11K	1	COMMANDER 3500DX / 3510
7*	MBF1091	CYLINDER 11K	1	PARKWAY 2250 / TG 3400 & 4650 HIGHWAY2130/PARKWAY 2250+/COMMANDER 3520
8	MBE0271	ADJUSTING ROD	2	

\* NOT ILLUSTRATED


**RANSOMES  
SPORT 200  
MAGNA 250**

---



**MAIN FRAME,CYLINDER & BOTTOM BLOCK (SPORT 200)**

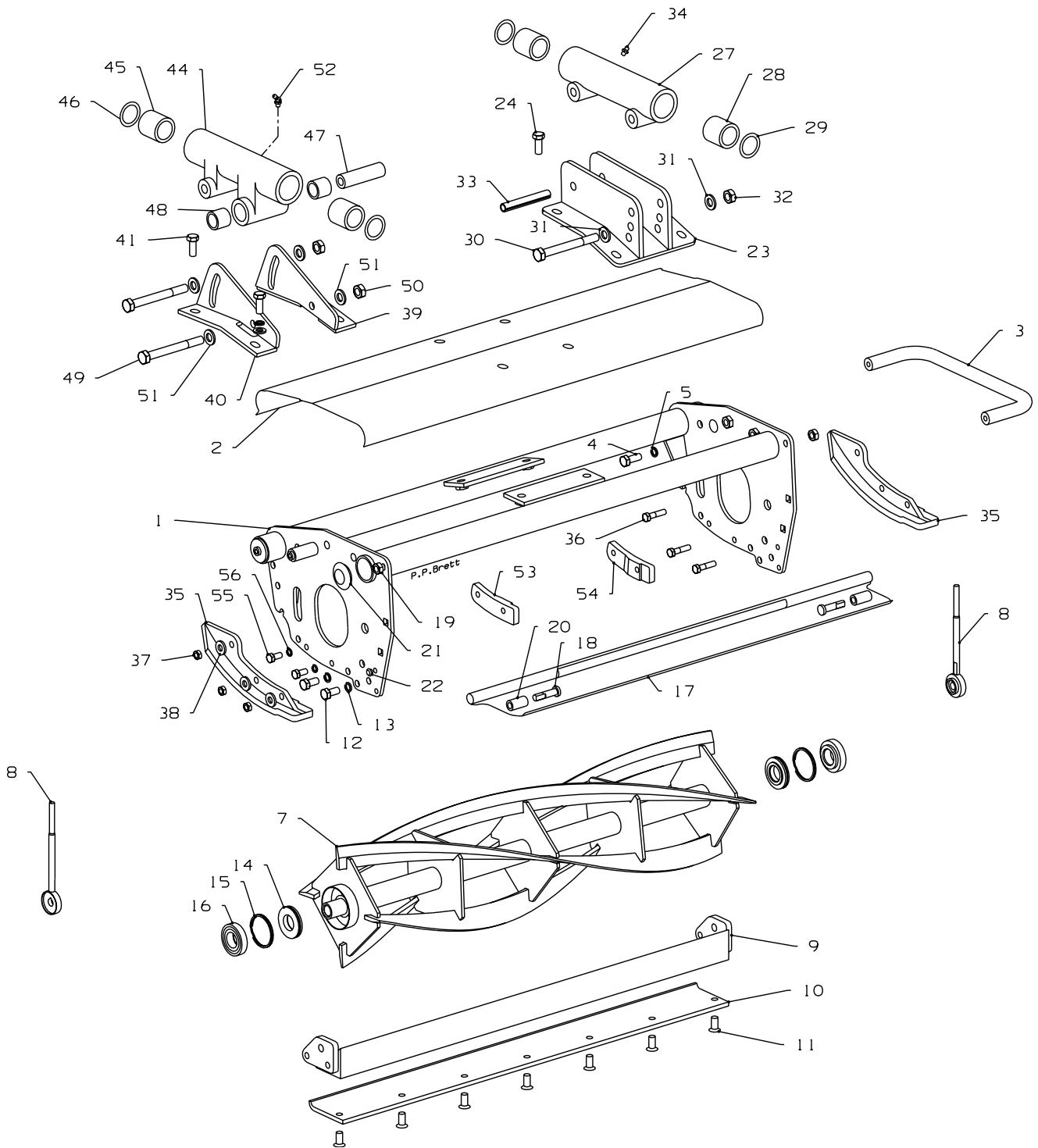
**LIST OF PARTS**

ITEM	RANSOMES PART NO	DESCRIPTION 	QTY	REMARKS
9	MBE1151	BOTTOM BLOCK ASSY	1	WITH STANDARD BLADE
9	MBE1527	BOTTOM BLOCK ASSY	1	WITH THIN BLADE
9*		• BOTTOM BLOCK	1	
10	MBA7024A	• BOTTOM BLADE (STD.)	1	
10*	MBA7037A	• BOTTOM BLADE (THIN)	1	
11	A119000	• SCREW 3/8 X 11/16	7	
12	450213	SCREW M10 X 20	4	
13	450412	S.L.WASHER 10MM	4	
14	MBE1185	RING CARRIER	2	220 M28 / MOTOR 350D MK5 / PARKWAY 225
14*	MBE2231	RING CARRIER	2	COMMANDER 3500DX/3510/3520 TG 3400 & 4650 / PARKWAY 2250 PARKWAY 2250 + / HIGHWAY 2130
15	A230013	SEAL RING	2	220 M28 / MOTOR 350D MK5 / PARKWAY 225
15*	A230021	SEAL RING	2	COMMANDER 3500DX/3510/3520 TG 3400 & 4650 / PARKWAY 2250 PARKWAY 2250 + / HIGHWAY 2130
16	A205902	BEARING	2	220 M28 / MOTOR 350D MK5 / PARKWAY 225
16*	A209044	BEARING	2	COMMANDER 3500DX/3510/3520 TG 3400 & 4650 / PARKWAY 2250 PARKWAY 2250 + / HIGHWAY 2130
17	MBC8328D	DEFLECTOR (SHORT)	1	MOTOR 350D / PARKWAY 225
17*	MBG2190	DEFLECTOR (SHORT)	1	PARKWAY 2250 / TG3400 & 4650
17*	MBC9586A	DEFLECTOR (LONG)	1	MOTOR 350D / PARKWAY 225
18	MBC8956A	BOLT	2	
19	450379	STIFFNUT M10	2	
20	A298383	SPACER	2	
21	A295274	PLASTIC PLUG	2	
22	A295286	ROUND INSERT	2	(PARKWAY 225)


\* NOT ILLUSTRATED

**RANSOMES  
SPORT 200  
MAGNA 250**

---

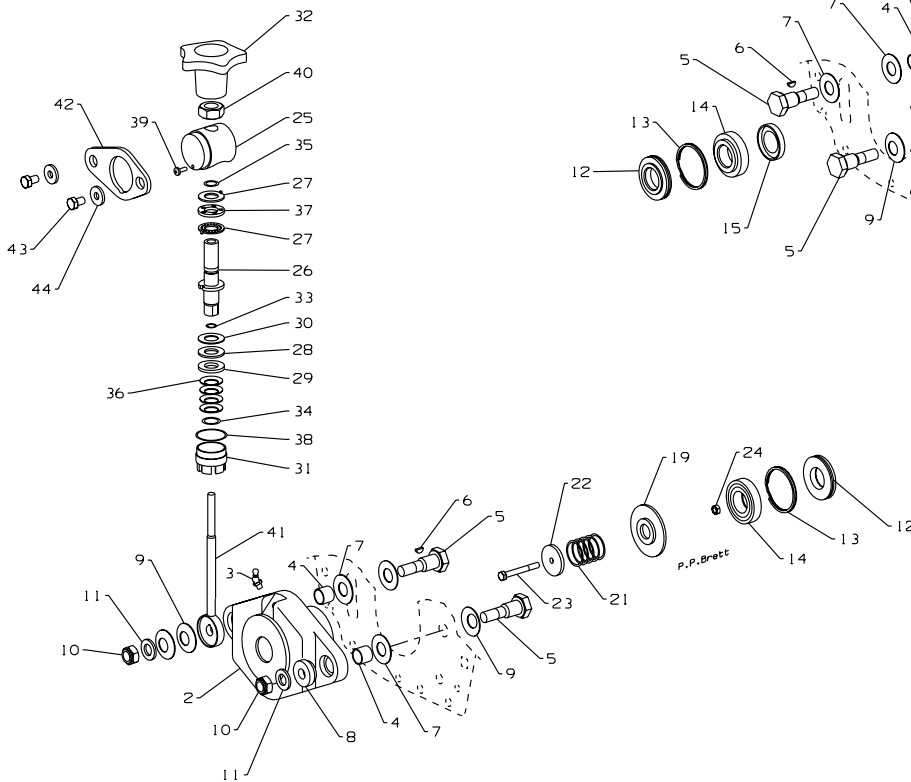
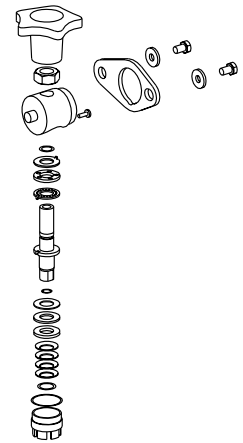
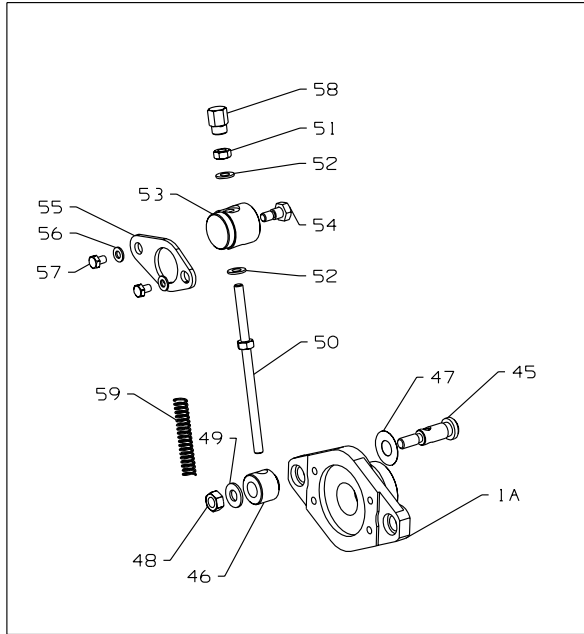




ITEM	RANSOMES PART NO	DESCRIPTION 	QTY	REMARKS
		<b>FIXED HEAD MOUNTING.</b>		
23	MBC9623	PIVOT BRACKET	1	
24	450479	SCREW M10 X 30	4	
27	MBC8414	PIVOT BEARING	1	
28	A219331	BUSH	2	
29	A221321	O RING	2	
30	450059	BOLT M12 X 100	1	
31	450392	WASHER 12MM	2	
32	450380	STIFFNUT M12	1	
33	451807	TENSION PIN	1	
34	A299301	LUBRICATOR	1	
35	MBC8985	SKID	2	
36	450014	BOLT M8 X 30	6	
37	450378	STIFFNUT M8	6	
38	A907207	WASHER	6	
		<b>FLOATING HEAD MOUNTING</b>		
39	MBC9591	PIVOT BRACKET RH	1	
40	MBC9592	PIVOT BRACKET LH	1	
41	450479	SCREW M10 X 25	4	
44	MBE0022	PIVOT BEARING	1	
45	A219331	BUSH	2	
46	A221321	O RING	2	
47	MBC8417	PIVOT TUBE	1	
48	GSF3002TG	BUSH	2	
49	450061	BOLT M12 X 110	2	
50	450380	STIFFNUT M12	2	
51	450392	WASHER 12MM	4	
52	A299306	LUBRICATOR	1	
53	MBE2205	PAD LH	1	MOTOR 350D / PARKWAY 225
54	MBE2206	PAD RH	1	MOTOR 350D / PARKWAY 225
55	A110304	SCREW M8 X 20	4	MOTOR 350D / PARKWAY 225
56	A151008	S.L.WASHER 8MM	4	MOTOR 350D / PARKWAY 225
57*	A903468	DECAL - (-<->+)	4	
58*	A903816	DECAL - RANSOMES	1	
59*	A903818	DECAL - SPORT 200	1	
60*	A903494	DECAL - DANGER -	1	CUTTING CYLINDER

\* NOT ILLUSTRATED

**RANSOMES  
SPORT 200  
MAGNA 250**



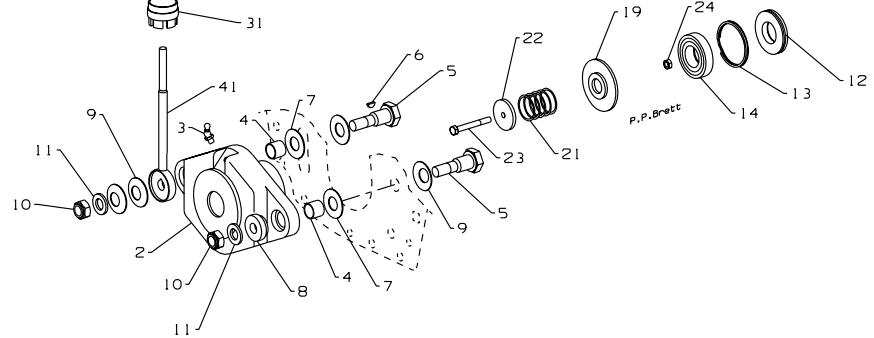
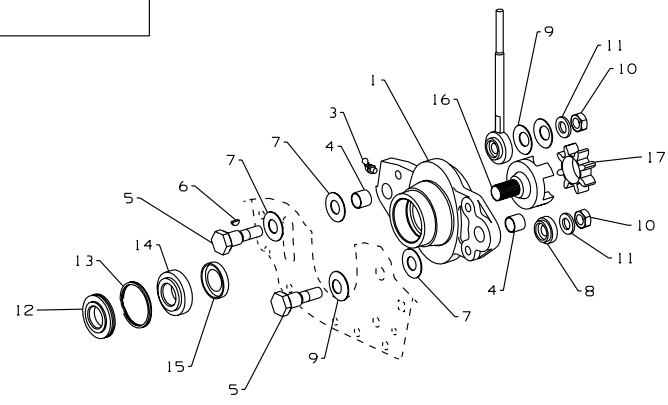
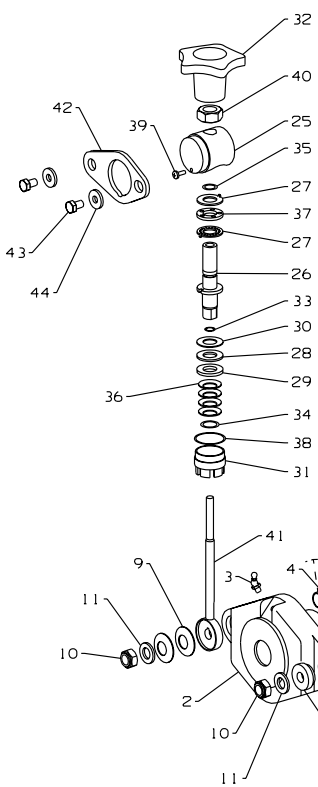
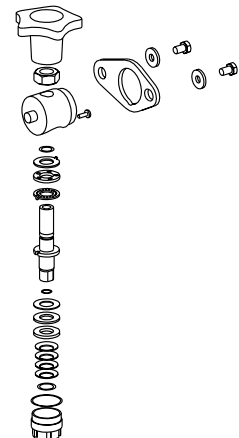
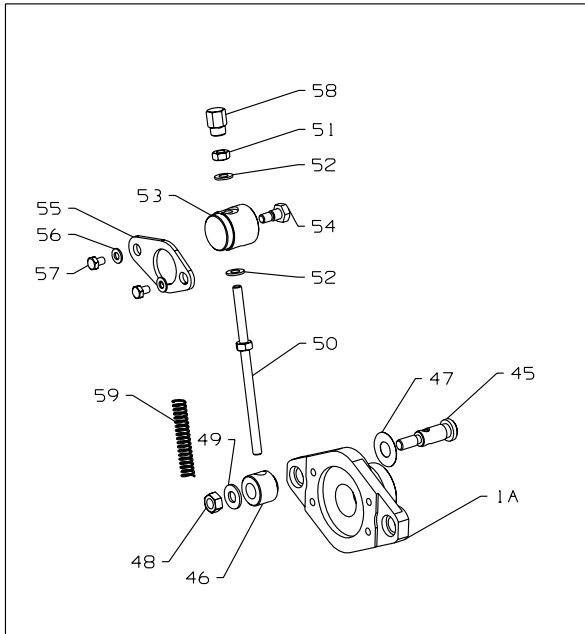
**CYLINDER ADJUSTER & BEARING HOUSINGS**

**LIST OF PARTS**

ITEM	RANSOMES PART NO	DESCRIPTION 	QTY	REMARKS
1	LMSE057	BEARING HOUSING	1	(DRIVE SIDE) 220 M28 / PARKWAY 225 / MOTOR 350D MK5
*	A199302	• HELICOIL INSERT	4	
1A	MBE2229C	BEARING HOUSING	1	(DRIVE SIDE) PARKWAY 2250 / COMMANDER 3500DX / TG 3400 & 4650
2	MBC9180C	BEARING HOUSING	1	(NON DRIVE SIDE)
2A	MBG4936	BEARING HOUSING	1	COMMANDER 3520
3	A299316	LUBRICATOR	2	
4	A219324	BUSH	4	
5	MBC8191B	PIVOT PIN	4	
5A*	MBF1785	PIVOT PIN	2	COMMANDER 3520 (NON STANDARD DRIVE SIDE - CENTRE UNIT)
6	A163401	WOODRUFF KEY	4	
7	A159991	WASHER	6	
8	MBE0359	COLLAR	2	
9	A292122	DISC SPRING	6	
10	450380	STIFFNUT M12	4	
11	450392	WASHER 12MM	4	
12	MBE1185	RING CARRIER	2	220 M28 / MOTOR 350D MK5 / PARKWAY 225
12*	MBE2231	RING CARRIER	2	COMMANDER 3500DX/3510/3520 TG 3400 & 4650 / PARKWAY 2250 PARKWAY 2250 + / HIGHWAY 2130
13	A230021	SEAL RING	2	220 M28 / PARKWAY 225 / MOTOR 350D MK5
13*	A230013	SEAL RING	2	COMMANDER 3500DX/3510/3520 TG 3400 & 4650 / PARKWAY 2250 PARKWAY 2250 + / HIGHWAY 2130
14	A205902	BEARING	2	220 M28 / PARKWAY 225 / MOTOR 350D MK5
14*	A209044	BEARING	2	COMMANDER 3500DX/3510/3520 TG 3400 & 4650 / PARKWAY 2250 PARKWAY 2250 + / HIGHWAY 2130
15	A229987	SEAL	1	220 M28 / PARKWAY 225 / MOTOR 350D MK5
15*	A230019	SEAL	1	COMMANDER 3500DX/3510/3520 TG 3400 & 4650 / PARKWAY 2250 PARKWAY 2250 + / HIGHWAY 2130


\* NOT ILLUSTRATED

**RANSOMES  
SPORT 200  
MAGNA 250**



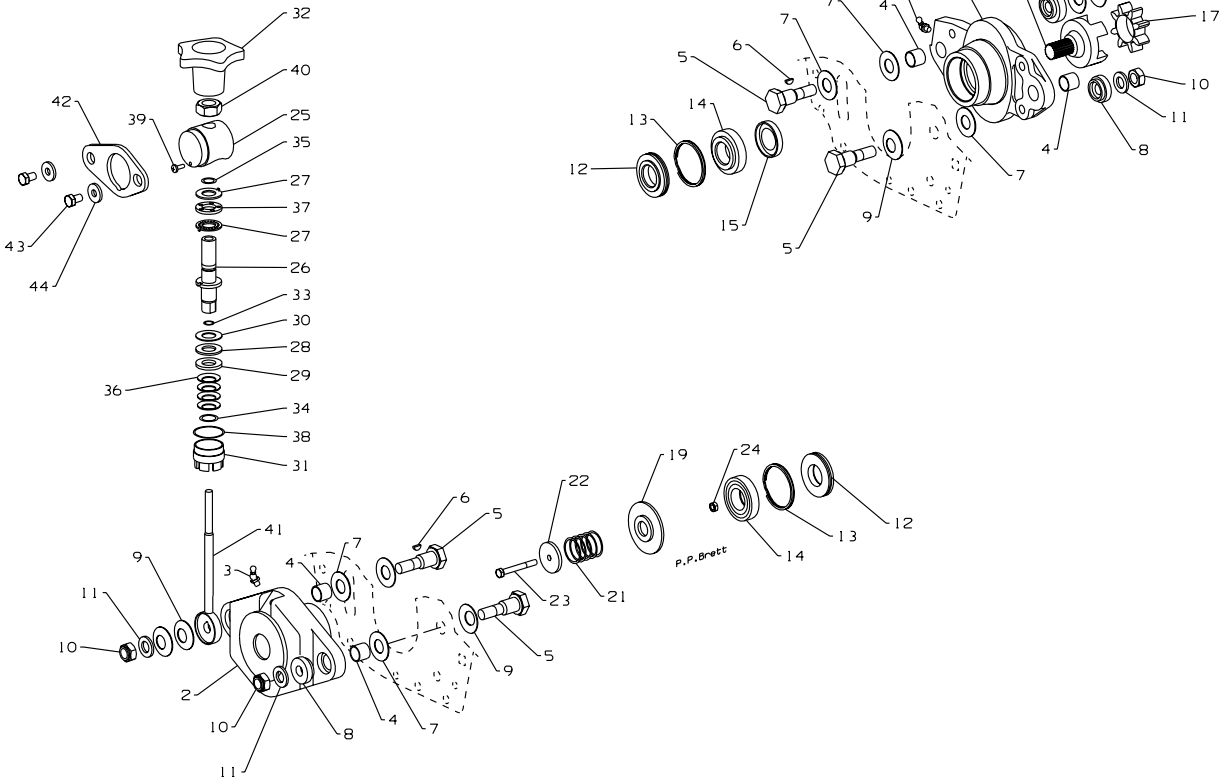
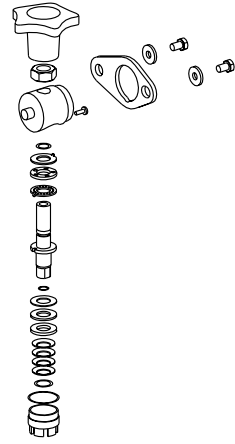
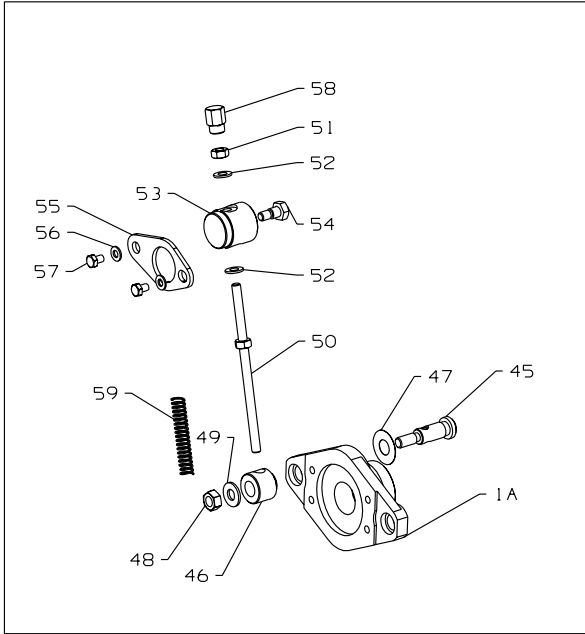
CYLINDER ADJUSTER & BEARING HOUSINGS

LIST OF PARTS

ITEM	RANSOMES PART NO	DESCRIPTION 	QTY	REMARKS
16	MBC7984C	DRIVE SHAFT	1	220 M28 / PARKWAY 225 / MOTOR 350D MK5
17	A299456	ELEMENT	1	220 M28 / PARKWAY 225 / MOTOR 350D MK5
18	LMSE113	PLUNGER KIT	1	
19	MBE1392	• PLUNGER	1	
21	A291094	• SPRING	1	
21A*	A291132	• SPRING	1	COMMANDER 3520 (NON STANDARD DRIVE SIDE - CENTRE UNIT)
21B*	MBG4955	COLLAR	1	COMMANDER 3520 (NON STANDARD DRIVE SIDE - CENTRE UNIT)
22	MBF0544	• PLATE	1	
23	450004	• BOLT M6 X 50	1	
24	450377	• STIFFNUT M6	1	
	LMSE116	ADJUSTER ASSEMBLY (MAGNA)	2	
	LMSE117	ADJUSTER ASSEMBLY (SPORT)	2	
25	MBC9706B	• TRUNNION	1	
26	MBC9699A	• ADJUSTING NUT	1	
27	MBE0376	• CAM RING	2	
28	A207529	• THRUST BEARING	1	
29	A207530	• THRUST WASHER	1	
30	A207531	• THRUST WASHER	1	
31	MBC9814B	• GLAND NUT	1	
32	A299074	• HANDWHEEL	1	
33	A221014	• O RING	1	
34	A221012	• O RING	1	
35	A221017	• O RING	1	
36	A292293	• DISC SPRING	4	
37	MBE0473A	• BALL & CAGE ASSY	1	
38	A221027	• O RING	1	
39	450517	• SCREW M4 X 12	1	
40	450327	• NUT M16	1	
41	MBE0270	• ADJUSTING ROD (MAGNA)	1	
41*	MBE0271	• ADJUSTING ROD (SPORT)	1	
42	MBC9905A	PLATE	2	
43	450188	SCREW M8 X 12	4	
44	A907207	WASHER	4	


\* NOT ILLUSTRATED

**RANSOMES  
SPORT 200  
MAGNA 250**



CYLINDER ADJUSTER & BEARING HOUSINGS

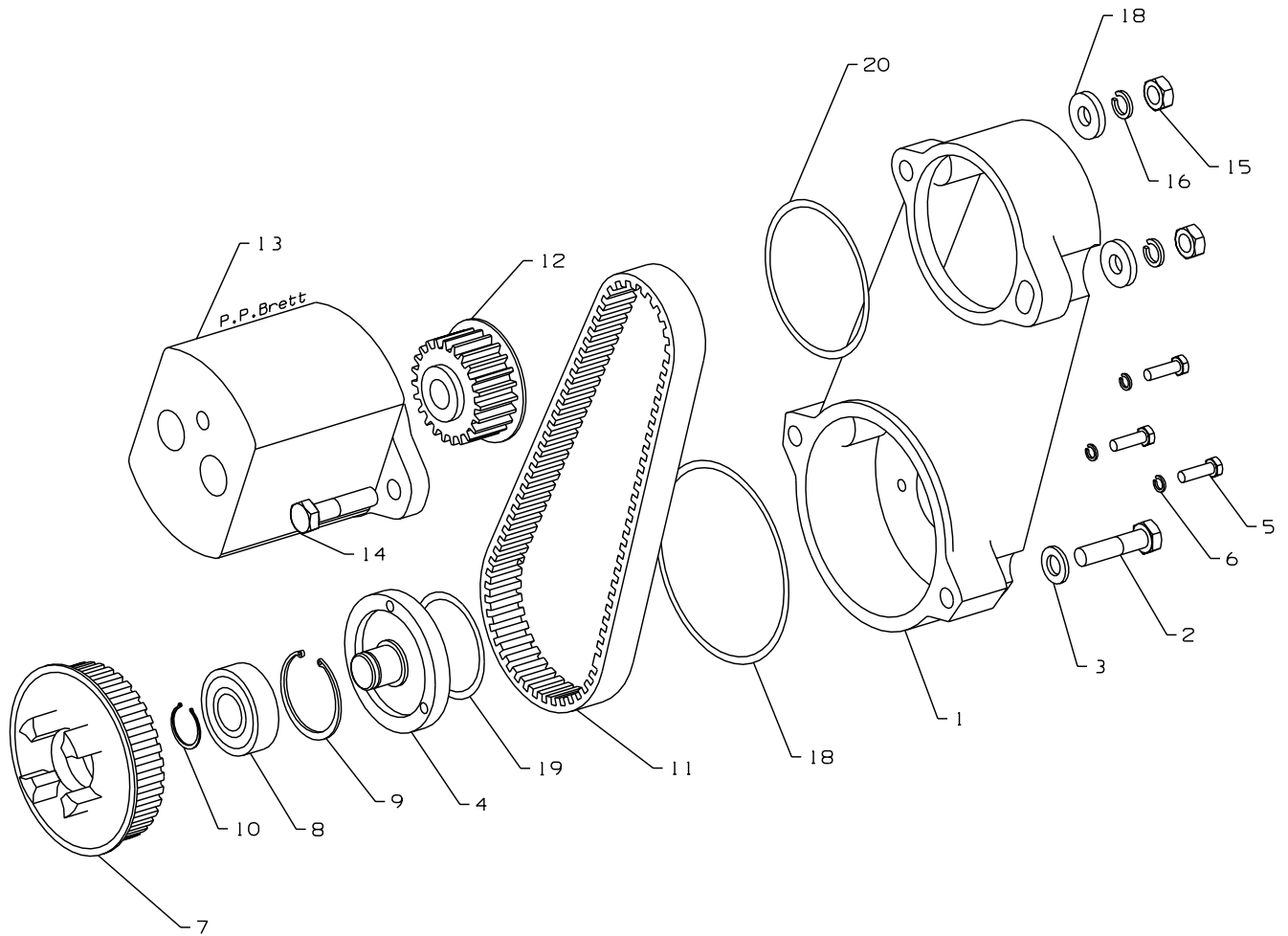
LIST OF PARTS

ITEM	RANSOMES PART NO	DESCRIPTION 	QTY	REMARKS
		SPANNER ADJUSTMENT		
45	MBF1415	CLAMP PIVOT	2	COMMANDER 3520 (NON STANDARD DRIVE SIDE - CENTRE UNIT)
45A*	MBF2135	CLAMP PIVOT	1	
46	MBF1418	CLAMP COLLAR	2	18 X 40 X 0.25
47	A159421	WASHER	2	
48	450380	NUT M12 NYLOC	2	
49	450402	WASHER M12	2	
50	MBG3957	STUD ASSEMBLY	2	
51	450325	NUT M10	2	
52	A292083	DISC SPRING	8	
53	MBF1413A	TRUNNION	2	
54	MBF1439	SHOULDER BOLT	2	
55	MBC9905A	PLATE	2	
56	A907207	SPECIAL WASHER	4	
57	450188	SCREW M8 X 12 HEX HD	4	
58	MBB2580	ADJUSTER	2	
59	A291130	SPRING	2	

\* NOT ILLUSTRATED

**RANSOMES  
SPORT 200  
MAGNA 250**


---





**BELT DRIVE ASSEMBLY**

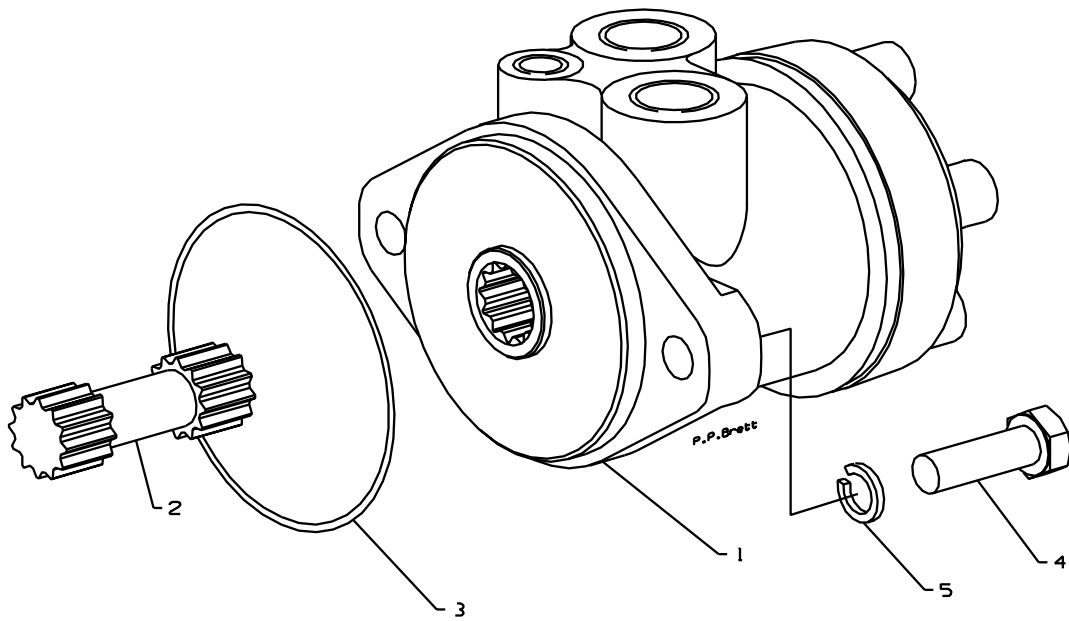
**LIST OF PARTS**


ITEM	RANSOMES PART NO	DESCRIPTION 	QTY	REMARKS
1	MBC9522B	DRIVE HOUSING	1	
2	A100409	BOLT M10 X 45	2	
3	A151010	S.L.WASHER 10MM	2	
4	MBC8166A	STUB SHAFT	1	
5	A110204	SCREW M6 X 20	3	
6	A151006	S.L.WASHER 6MM	3	
7	MBE0192A	PULLEY (DRIVEN)	1	
8	A203604	BEARING	1	
9	A170047	CIRCLIP	1	
10	A171020	CIRCLIP	1	
11	A492107	DRIVE BELT (TOOTHED)	1	
12	MBE0190A	PULLEY (DRIVING)	1	
13	A800008	HYDRAULIC MOTOR 22CC/REV	1	BI-DIRECTIONAL
13	A809624	HYDRAULIC MOTOR 22CC/REV	1	CLOCKWISE
13	A809625	HYDRAULIC MOTOR 22CC/REV	1	ANTICLOCKWISE
14	A100409	BOLT M10 X 45	2	
15	A130010	NUT M10	2	
16	A151010	S.L.WASHER 10MM	2	
17	MBC8846	WASHER	2	
18	A221046	ORING	1	
19	A221029	ORING	1	
20	A221043	ORING	1	

\* NOT ILLUSTRATED

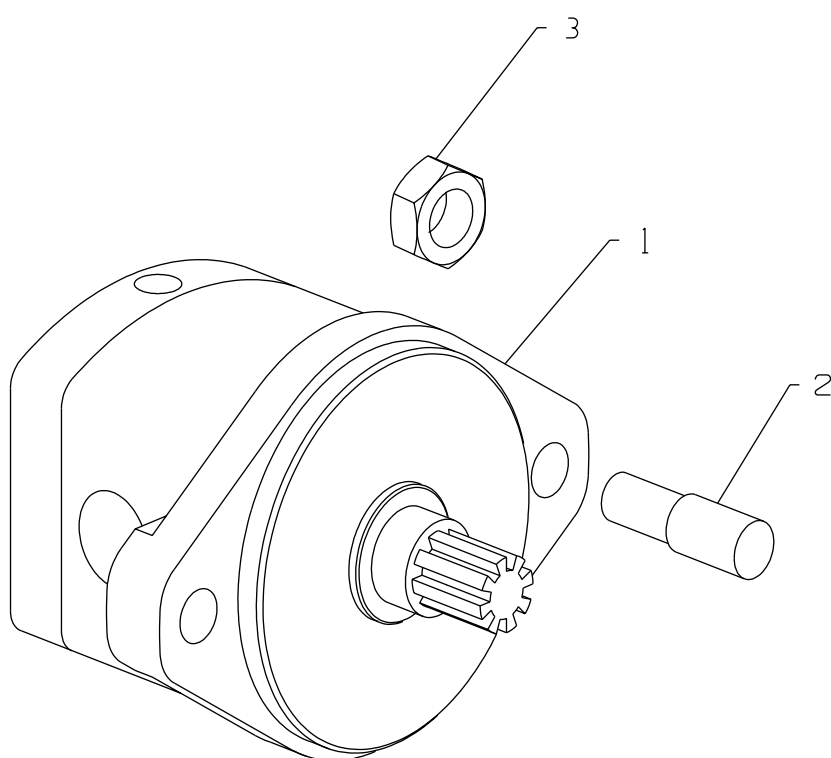
RANSOMES  
SPORT 200  
MAGNA 250

---




ITEM	RANSOMES PART NO	DESCRIPTION 	QTY	REMARKS
1	A800020	HYDRAULIC MOTOR	1	
*	A230038	DANFOSS	1	
2	A800019	SEAL KIT	1	
3	A800019	EXTERNAL CARDAN SHAFT	1	
4	A221327	O RING (1 TO BRG. HSG.)	1	
5	A110406	SCREW M10 X 30	2	
6	A151010	S.L.WASHER 10MM	2	

\* NOT ILLUSTRATED



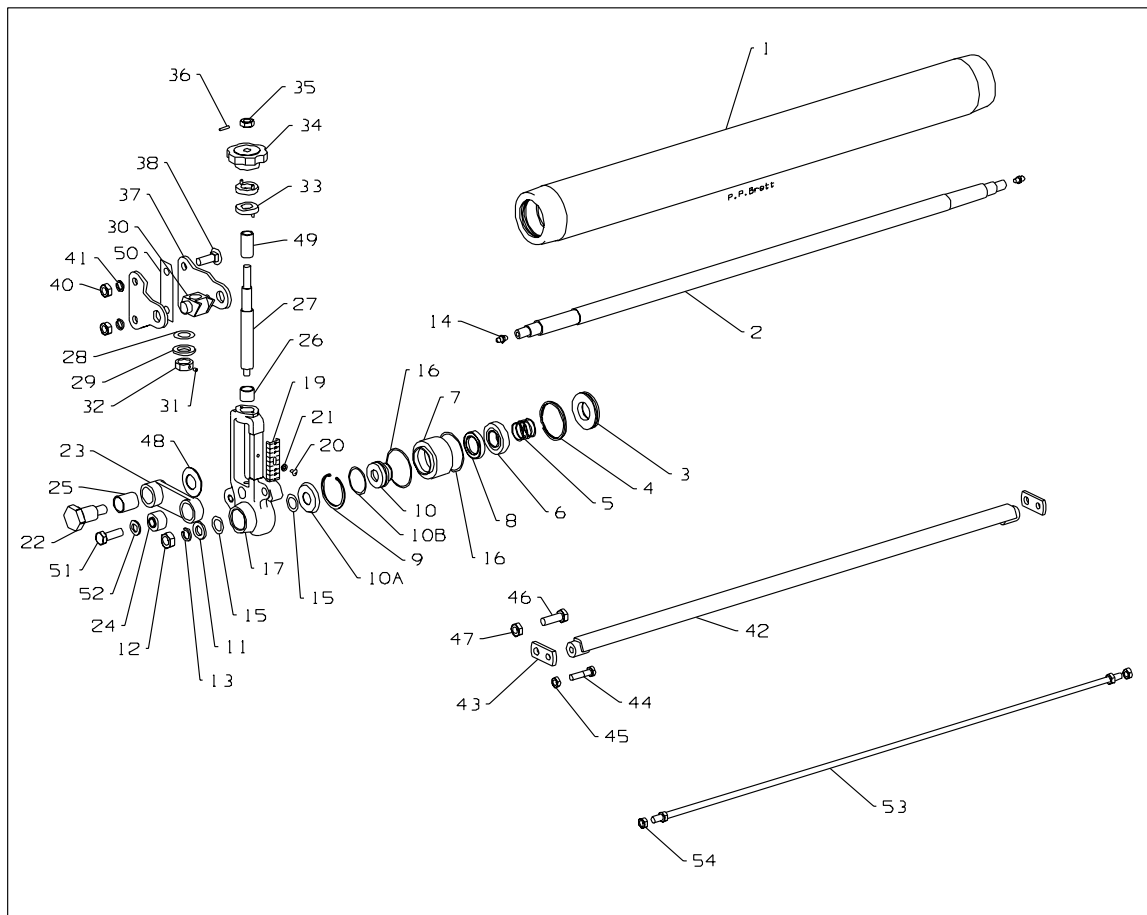
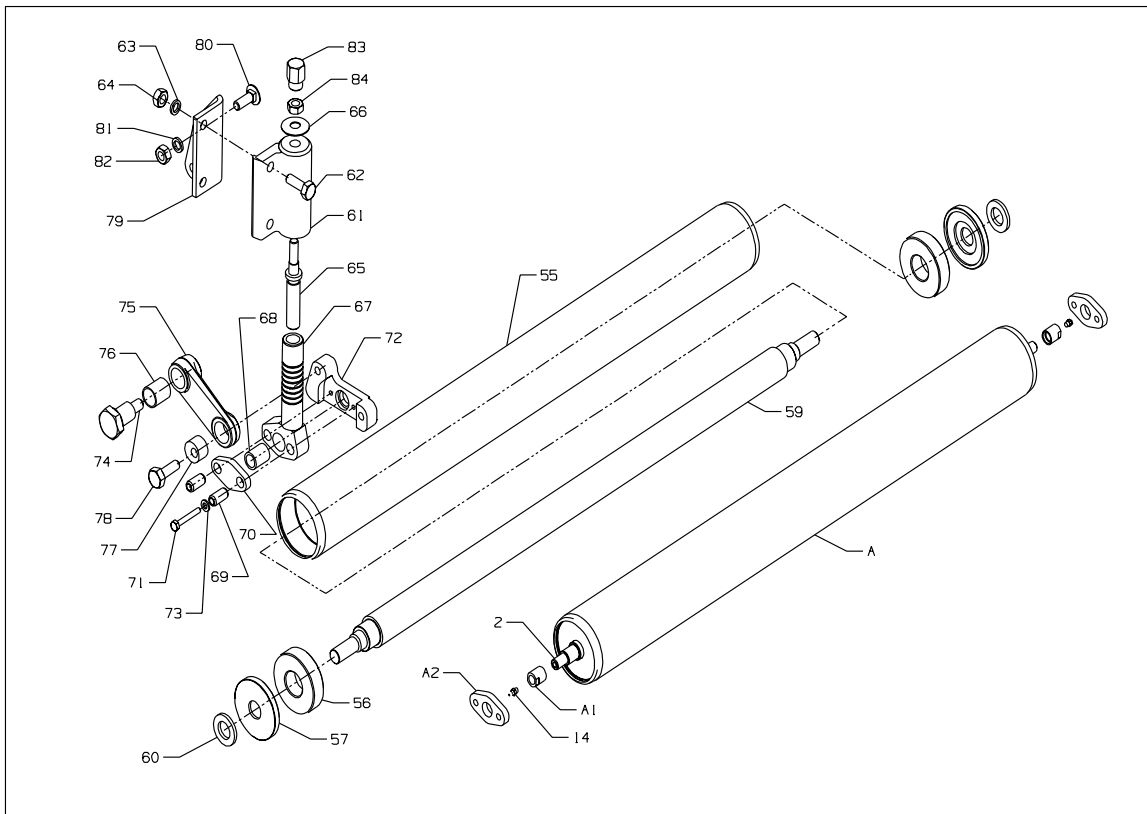
**DIRECT DRIVE MOTOR (BI-DIRECTIONAL) WITH SPLINED SHAFT**

**LIST OF PARTS**

ITEM	RANSOMES PART NO	DESCRIPTION 	QTY	REMARKS
1	A800604	HYDRAULIC MOTOR (ULTRA)		TOP DRAIN
1	A800651	HYDRAULIC MOTOR (ULTRA)		BOTTOM DRAIN
*	A230110	• SEAL KIT	1	
2	2203039	STEP STUD	2	
3	450379	NUT	2	
4*	W158061-04	'O' RING	1	COMMANDER 3520 (QTY 2 CENTRE UNIT)


\* NOT ILLUSTRATED

**RANSOMES  
SPORT 200  
MAGNA 250**



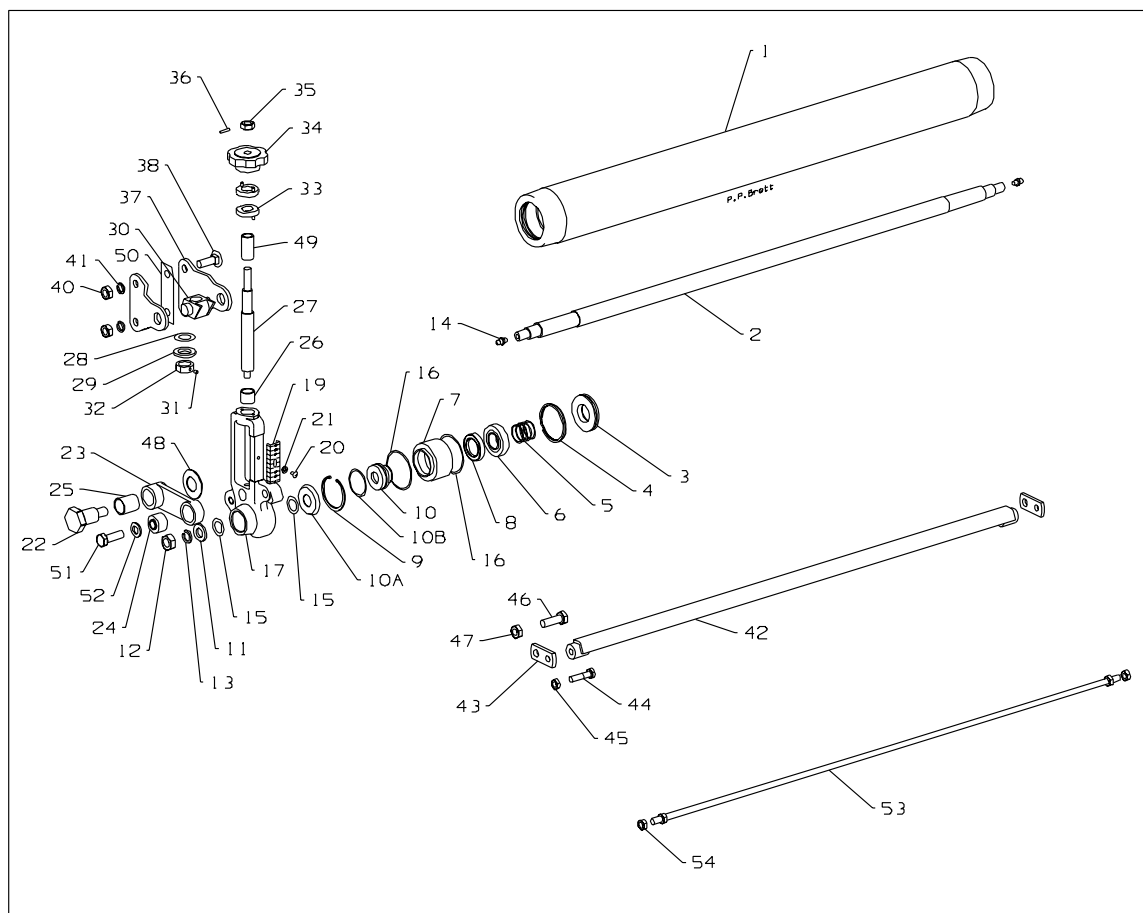
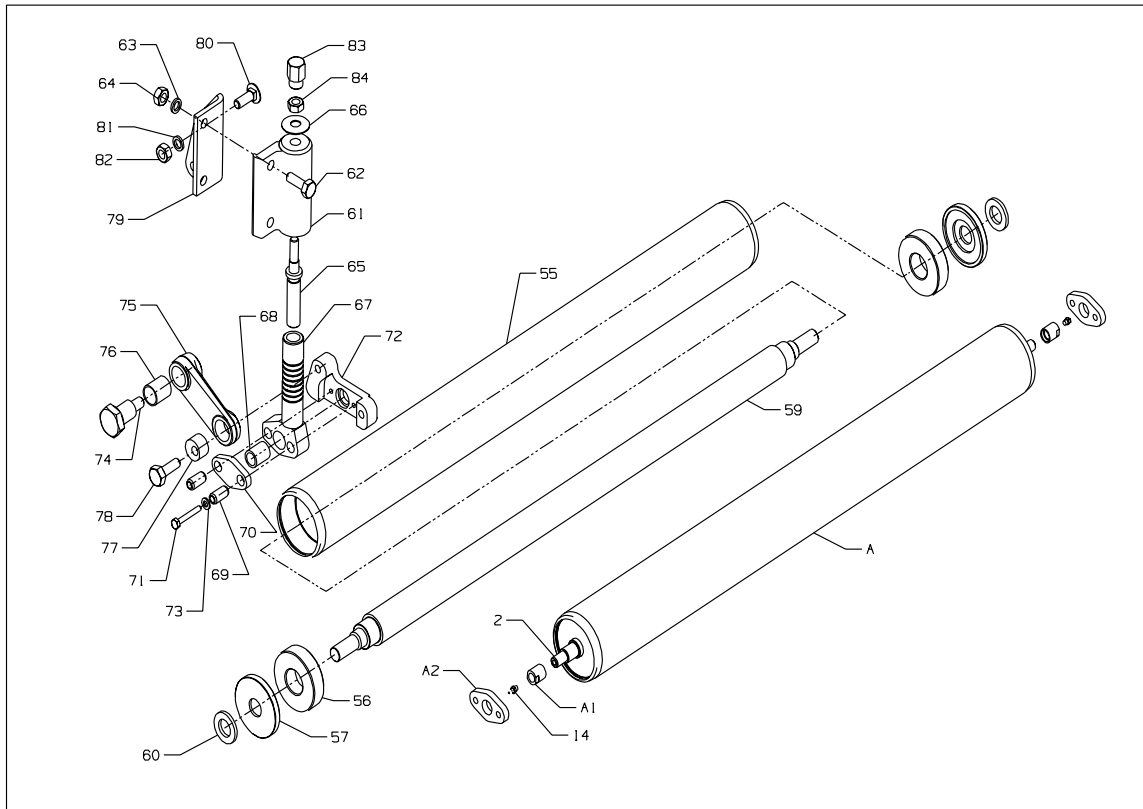
REAR ROLL ASSEMBLY & ADJUSTERS

LIST OF PARTS

ITEM	RANSOMES PART NO	DESCRIPTION 	QTY	REMARKS
A	LMSE027	ROLL ASSEMBLY	1	
1	MBE2174C	• ROLL	1	
2	MBG0836	• ROLL SPINDLE	1	
3	MBF0349	• RING CARRIER	2	
3A	MBF0002	• WASHER	2	
3B	A292134	• DISC SPRING	AR	
4	A230013	• SEAL RING	2	
5	A291115	• SPRING	2	
6	A205929	• BEARING	2	
7	MBE2429	• BEARING HOUSING	2	
8	A220254	• SEAL	2	
9	451982	• CIRCLIP	2	
10	MBE2430	• SEAL JOURNAL	2	
10A	MBE2431B	• SHIELD	2	
10B	A230021	• SEAL RING	2	
11	MBE1372	• WASHER	2	
12	450326	• NUT M12	2	
13	450413	• S.L.WASHER 12MM	2	
14	A299301	• LUBRICATOR	2	
15	A221910	• O RING	4	
16	A221137	• O RING	4	
17	MBE1401A	ROLL SUPPORT LH	1	
18*	MBE1402A	ROLL SUPPRT RH	1	
19	A903461	INDICATOR	2	
20	450515	SCREW M4 X 8	2	
21	450387	WASHER 4MM	2	
22	MBC8156A	PIN	2	
23	MBC9333B	LEVER	2	
24	A217001	RUBBER BUSH	2	
25	A219323	BUSH	2	
26	A219327	BUSH	2	
27	MBC9172A	ADJUSTING SCREW	2	
28	A221911	ORING	2	
29	450393	WASHER 16MM	2	
30	MBC8160B	TRUNNIONNUT	2	
31	450940	GRUBSCREW M4 X 4	2	
32	MBC8568	STOP COLLAR	2	
33	A914651	LOCKING WASHER	4	
34	A913331	HANDWHEEL	2	
35	450325	NUT M10	2	
36	A141424	TENSION PIN	2	
37	MBC8158B	BRACKET	4	
38	452586	BOLT M10 X 30	3	
39	452587	BOLT M10 X 35	1	
40	450325	NUT M10	4	
41	450412	S.L.WASHER 10MM	4	
42	MBE1434	SCRAPER (BAR)	1	
43	MBE1415	PLATE	2	
44	450016	BOLT M8 X 40	2	

\* NOT ILLUSTRATED


**RANSOMES  
SPORT 200  
MAGNA 250**





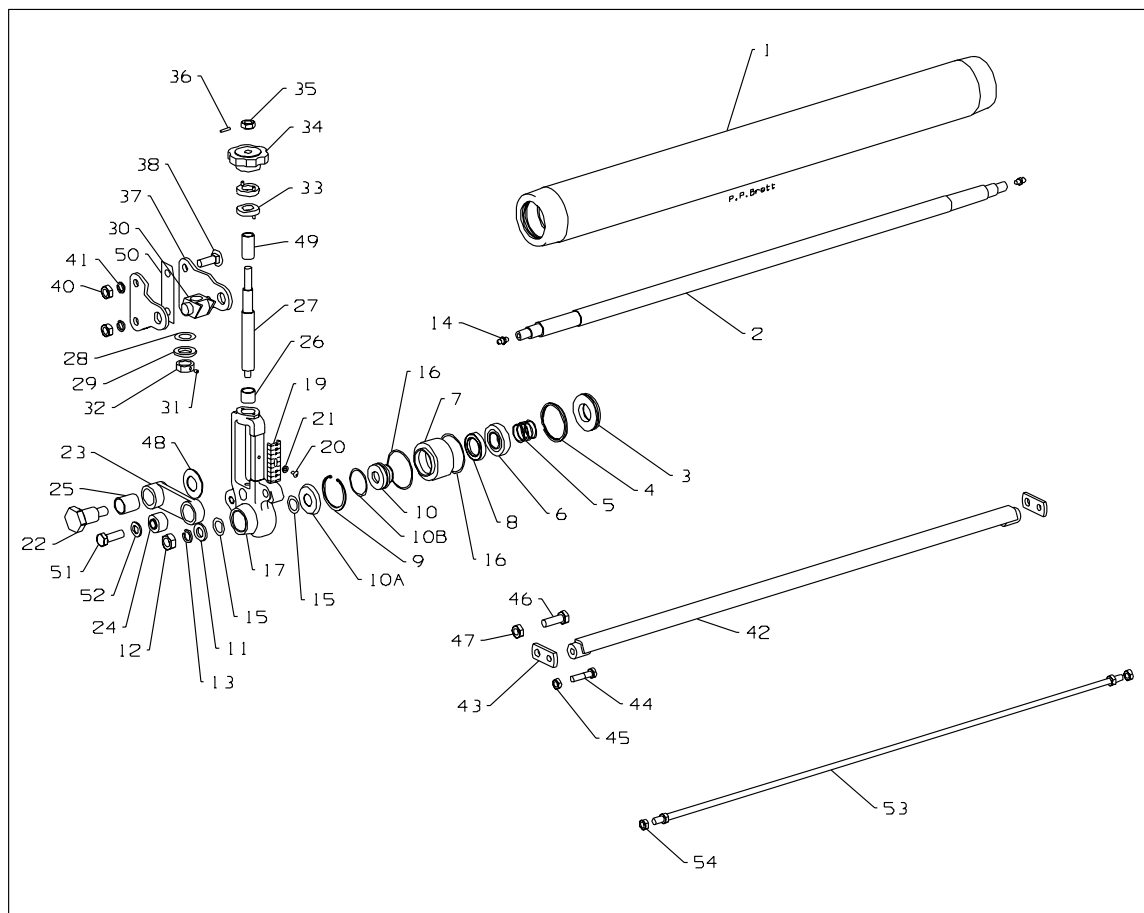
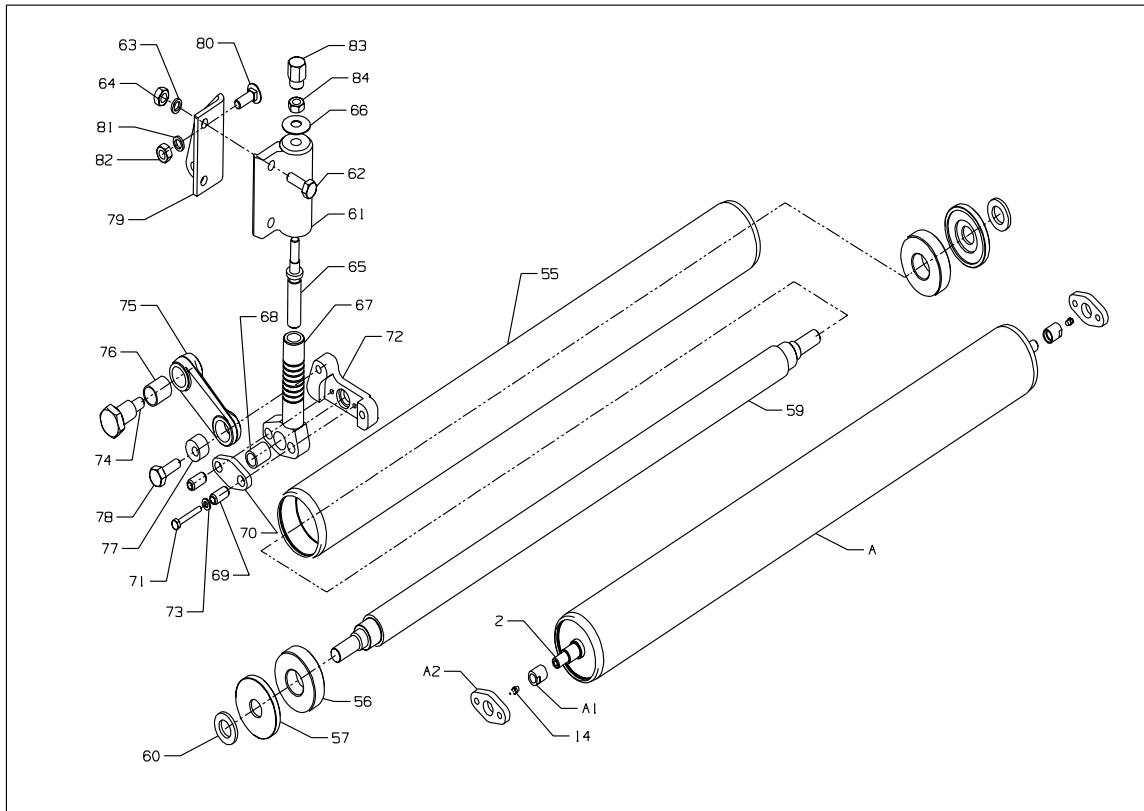
REAR ROLL ASSEMBLY & ADJUSTERS

LIST OF PARTS

ITEM	RANSOMES PARTNO	DESCRIPTION 	QTY	REMARKS
45	450378	STIFFNUT M8	2	
46	450215	SCREW M10 X 30	2	
47	450379	STIFFNUT M10	2	
48	A292134	DISC SPRING	2	
49	A219332	BUSH	2	
50	MBE2252A	PLATE	2	VERTICUT UNIT ONLY
51	450215	SCREW M10 X 30	2	
52	450391	WASHER 10MM	2	
53*	A906712	SCRAPER (WIRE)	1	
54*	450378	STIFFNUT M8	2	
*	MBE3195A	SPRING RETAINER TOOL	1	TO DISMANTLE C/U ROLL.
		<b>SPANNER ADJUSTMENT</b>		
	MBF1426	ROLL ASSEMBLY	1	PLAIN
55	MBG2925	• ROLL TUBE	1	
56	A203940	• BEARING	2	28 X 68 X 18
57	MBF1107A	• BEARING SPACER	2	
58	451998	• INT. CIRCLIP	2	
59	MBG2924A	• ROLL SPINDLE	1	
60	A230086	• RB20 GAMMA SEAL	2	
61	MBB6818	OUTER SLEEVE LH	1	
*	MBB6817	OUTER SLEEVE RH	1	
62	450215	SCREW M10 X 30 HEX HD	4	
63	450412	S.L. WASHER M10	4	
64	450325	NUT M10	6	
65	MBB2579A	SCREW	2	
66	A292121	DISC SPRING	2	
67	4119718	SKID MOUNTING ASSEMBLY	2	M8 MOUNTING HOLES
	MBC8148	SKID MOUNTING ASSEMBLY	2	M6 MOUNTING HOLES
68	MBB2587	BUSH	2	
69	451761	TENSION PIN 12 X 24	4	FOR USE WITH M6 BOLTS
70	4119722	OUTER PLATE	2	USE WITH DISPOSABLE ROLL
	MBG6096	OUTER PLATE	2	M6 MOUNTING HOLES
*	4119721	OUTER PLATE	2	USE WITH STANDARD ROLL
	MBF0885C	OUTER PLATE	2	M6 MOUNTING HOLES
71	450016	BOLT M8 X 40 HEX HD	4	
	450003	BOLT M6 X 40 HEX HD	4	
72	4119720	SUPPORT PLATE LH	1	M8 MOUNTING HOLES
	MBF1858A	SUPPORT PLATE LH	1	M6 MOUNTING HOLES
*	4119719	SUPPORT PLATE RH	1	M8 MOUNTING HOLES
	MBF1857A	SUPPORT PLATE LH	1	M6 MOUNTING HOLES
*	A292110	SPRING DISK 16.3 X 31.5 X .08	2	
73	450390	WASHER M8	4	
74	MBC8156A	PIN	4	
75	MBC9333B	LEVER	2	
76	A219323	BUSH	2	
77	MBG2168A	ECCENTRIC BUSH	2	
78	MBF1421	CLAMP BOLT - ECCENTRIC	2	
79	MBG3970A	BRACKET REAR ROLL LH	1	
*	MBG3969A	BRACKET REAR ROLL RH	1	
80	452586	BOLT M10 X 30 SQ NECK	4	


\* NOT ILLUSTRATED

**RANSOMES  
SPORT 200  
MAGNA 250**



**REAR ROLL ASSEMBLY & ADJUSTERS**

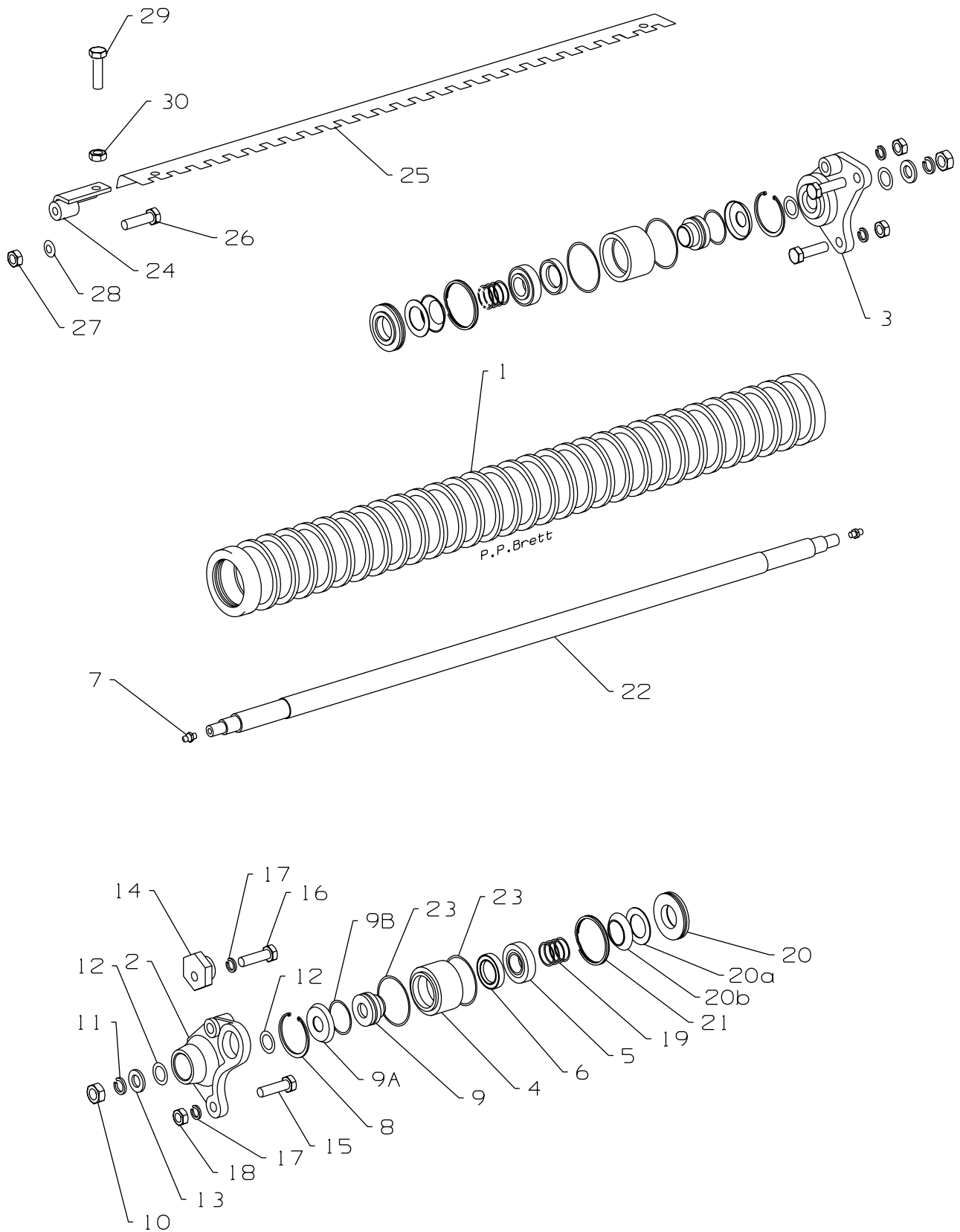
**LIST OF PARTS**

ITEM	RANSOMES PART NO	DESCRIPTION 	QTY	REMARKS
81	450412	S.L.WASHER M10	4	
82	450325	NUT M10	4	
83	MBB2580	ADJUSTER	2	
84	450325	NUT M10	2	
A1	MBF1693	SPINDLE ADAPTER	2	FOR ROLL LMSE027 WITH SPANNER HEIGHT AJUSTMENT.
A2	MBF0855C	OUTER PLATE	2	

\* NOT ILLUSTRATED


**RANSOMES  
SPORT 200  
MAGNA 250**

---

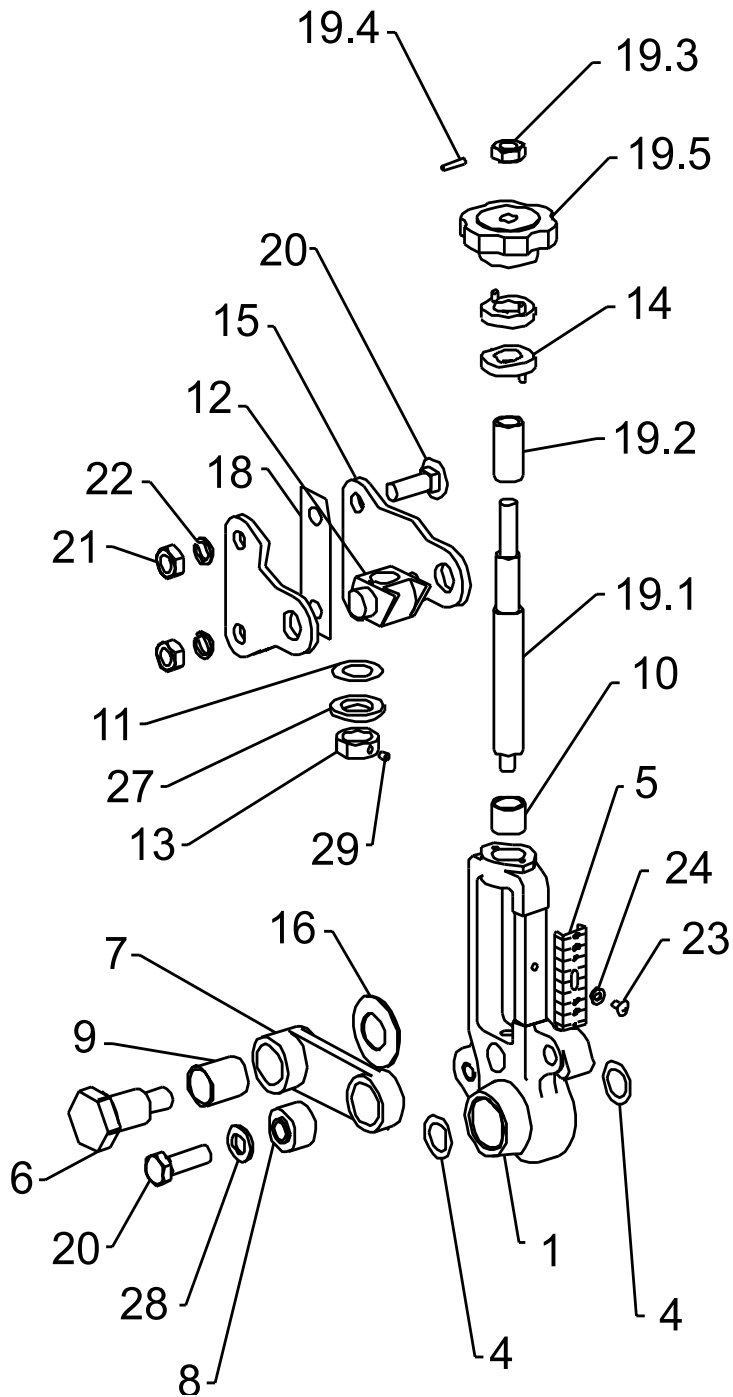


**FRONT ROLL ASSEMBLY AND ADJUSTERS**

**LIST OF PARTS**


ITEM	RANSOMES PART NO	DESCRIPTION 	QTY	REMARKS
1	MBE1361A	ROLL TUBE	1	(CONT ITEM 1, 4 -13, 19 - 23)
2	MBE1413B	SUPPORT LH	1	
3	MBE1414B	SUPPORT RH	1	
4	MBE2429	BEARING HOUSING	2	
5	A205929	BEARING	2	
6	A220254	SEAL	2	
7	A299301	LUBRICATOR	2	
8	451982	CIRCLIP	2	
9	MBE2430	SEAL JOURNAL	2	
9A	MBE2431B	SHIELD	2	
9B	A230021	SEAL RING	2	
10	450326	NUT M12	2	
11	450413	S.L.WASHER 12MM	2	
12	A221910	ORING	4	
13	MBE1372	WASHER	2	
14	MBC8317A	ECCENTRIC NUT	1	
15	450215	SCREW M10 X 30	3	
16	450216	SCREW M10 X 35	1	
17	450412	S.L.WASHER 10MM	4	
18	450325	NUT M10	3	
19	A291115	SPRING	2	
20	MBF0349	RING CARRIER	2	
20A	MBF0002	WASHER	2	
20B	A292134	DISC SPRING	AR	
21	A230013	SEAL RING	2	
22	MBG0836	ROLL SPINDLE	1	
23	A221137	ORING	4	
	LMSE028	ROLL ASSEMBLY	1	
24	MBF0034	PIVOT	2	
25	MBG0095	SCRAPER	1	
26	450020	BOLT, M8 X 60, HEX HD	2	
27	450378	NUT, M8 NYLOC	2	
28	A292134	DISC SPRING	4	
29	450192	SCREW M8 X 25	2	
30	450378	NUT M8 STAYTITE	1	

\* NOT ILLUSTRATED



**HIGH HIGHT OF CUT KIT (FRONT) FOR FLOATING HEAD  
SPORT 200 (COMMANDER 3500, 3510 & 3520)**

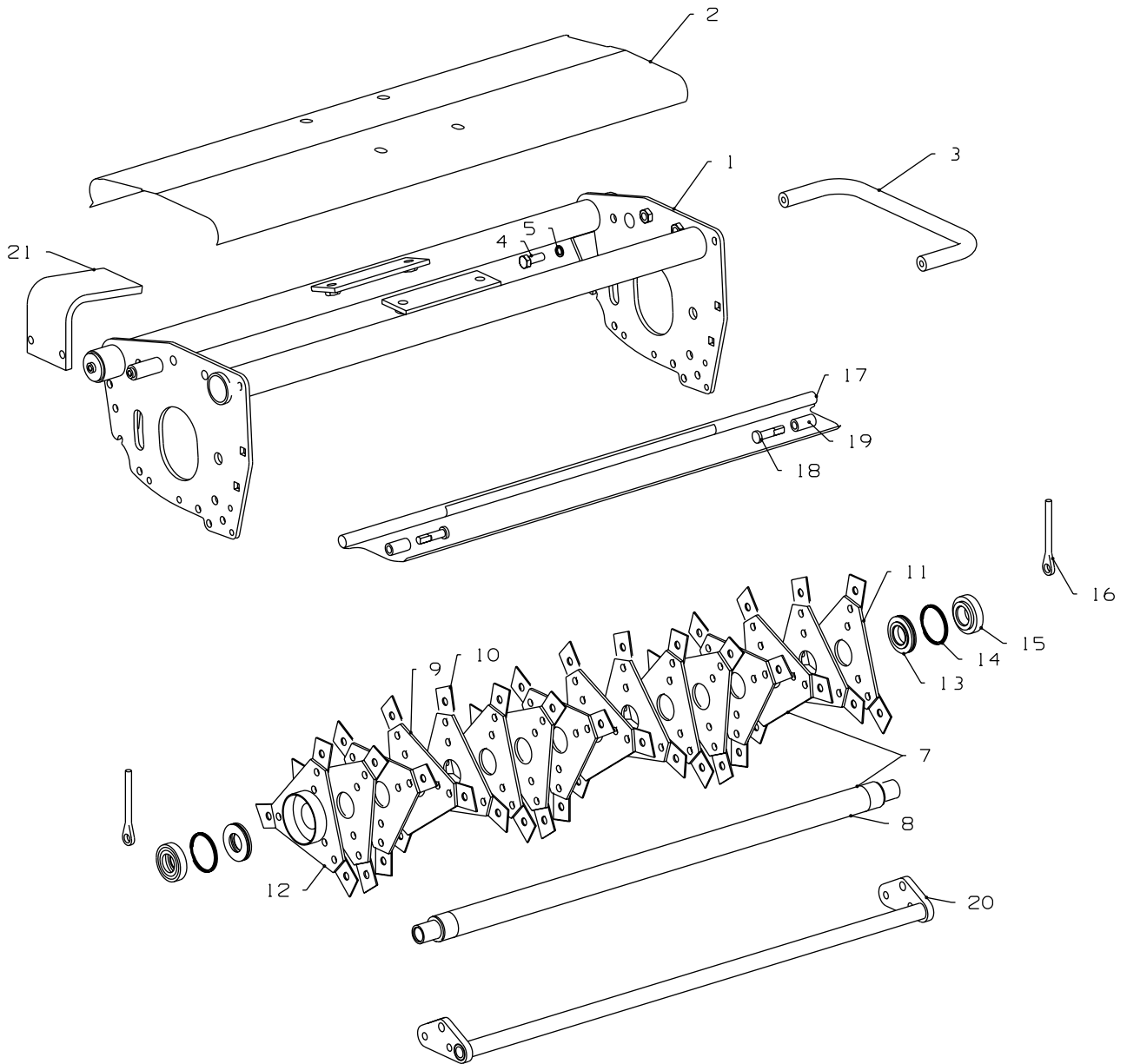
**LIST OF PARTS**

ITEM	RANSOMES PART NO	DESCRIPTION 	QTY	REMARKS
	LMAB212	HIGHHOC KIT		FOR FLOATING HEAD
1	MBE1401A	• SUPPORT, LH ROLL	1	
2*	MBE1402A	• SUPPORT, RH ROLL	1	
3*	002993013	• LUBRICATOR-M6 STR	2	
4	002219100	• O-RING 16 ID X 4 SECT	4	
5	009034612	• INDICATOR	2	
6	MBC8156A	• PIN	2	
7	MBC9333C	• LEVER	2	
8	002170013	• RUBBER BUSH	2	
9	002193237	• BUSH-NYLON 20 X 23 X 25	2	
10	002193279	• BUSH-NYLON 16 X 18 X 12	2	
11	002219110	• O-RING 16 ID X 6 SECT	2	
12	MBC8160B	• NUT, TRUNNION	2	
13	MBC8568	• COLLAR, STOP	2	
14	009146512	• LOCKING WASHER — NYLON	4	
15	MBC8158B	• BRACKET	4	
16	002921345	• SPRG-DISC 20.4 X 40 X 1.5	2	
17*	MBE1372	• WSHR-12.5 X 26.15 X 3	2	FOR ITEM 6
18	MBE2252A	• PACKER	2	
19	MBE2638	• HANDWHEEL	2	
19.1	MBC9172A	•• ADJUSTING SCREW	1	
19.2	002193320	•• BUSH-NYLON 13 X 15.65 X 31	1	
19.3	450325	•• NUT-HEX M10	1	
19.4	451579	•• PIN-TENSION 3 X 16	1	
19.5	009133317	•• HANDWHEEL	1	
20	450215	• SCREW-HEX M10 X 30	6	
21	450325	• NUT-HEX M10	4	
22	450412	• LOCKWSHR-M10 X 15.9 X 2.5	4	
23	450515	• SCRW-PAN HD M4 X 8	2	
24	450387	• WSHR-M4 X 9 X 0.9	2	
25*	450380	• NUT-HEX M12 NYLOC	2	FOR ITEM 6
27	450393	• WSHR-M16 X 30 X 3.3	2	
28	450391	• WSHR-M10 X 21 X 2.2	2	
29	450940	• SCRW-SET M4 X 4, CUP PNT	2	


\* NOT ILLUSTRATED

**RANSOMES  
SPORT 200  
MAGNA 250**

---



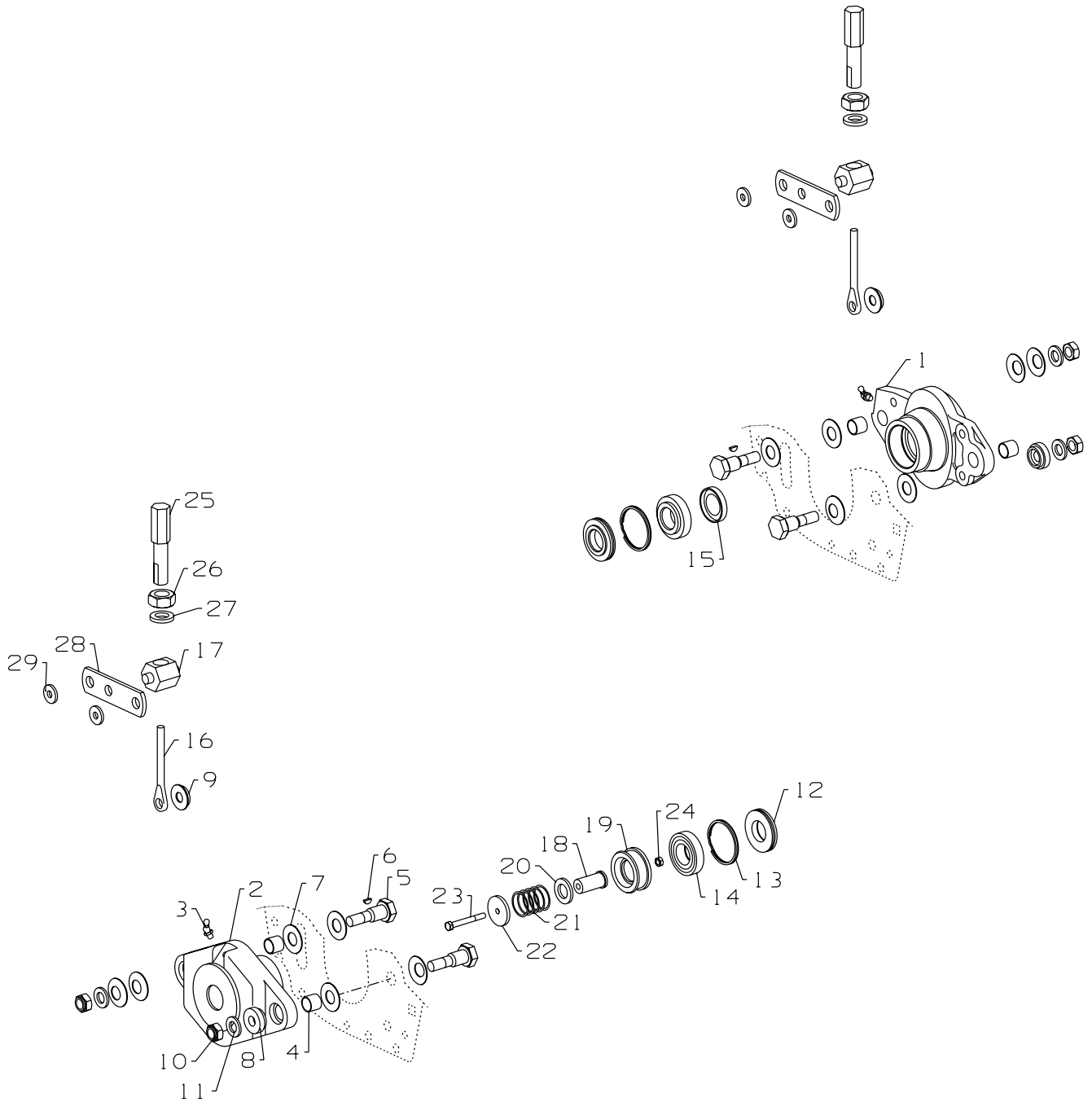


ITEM	RANSOMES PART NO	DESCRIPTION 	QTY	REMARKS
1	MBC8950B	FRAME ASSEMBLY	1	
*	A295274	PLASTIC PLUG	2	
2	MBC8936	COVER	1	
3	MBE2649	GUARD	1	
4	A110396	SCREW M8 X 16	1	
5	A150008	WASHER 8MM	1	
7	MBE2669	VERTICUT CYLINDER	1	220 M28 / PARKWAY 225 / MOTOR 350D MK5
7*	MBE4148	VERTICUT CYLINDER	1	COMMANDER 3500DX / 3510
7A*	MBF1471	VERTICUT CYLINDER	1	COMMANDER 3520
8	MBC9896	SPINDLE	1	220 M28 / PARKWAY 225 / MOTOR 350D MK5
8*	MBE1627	SPINDLE	1	
9	MBE2673	COLLAR ASSY.	16	
10	A920038	BLADE	3	
10*	A110494	SCREW	3	
10*	A151010	WASHER	3	
10*	A141522	TENSION PIN	3	
11	MBE2672	END COLLAR ASSY LH	1	
12	MBE2671	END COLLAR ASSY RH	1	
13	MBE1185	RING CARRIER	2	220 M28 / PARKWAY 225 / MOTOR 350D MK5
13*	MBE2231	RING CARRIER	2	COMMANDER 3500DX / 3510 / 3520
14	A231003	SEAL RING	2	220 M28 / PARKWAY 225 / MOTOR 350D MK5
14*	A230021	SEAL RING	1	COMMANDER 3500DX / 3510 / 3520
14*	A205902	BEARING	2	220 M28 / PARKWAY 225 / MOTOR 350D MK5
14*	A209044	BEARING	2	COMMANDER 3500DX / 3510 / 3520
16	MBE2701	ADJUSTING ROD	2	
17	MBC8328D	DEFLECTOR (SHORT)	1	
18	MBC8956	BOLT	2	
19	A298383	SPACER	2	
20	MBE2679A	SUPPORT	1	
21	MBE1276	ROLLER BRACKET	2	

\* NOT ILLUSTRATED


**RANSOMES  
SPORT 200  
MAGNA 250**

---



CYLINDER ADJUSTER & BEARING HOUSINGS VERTICUT.

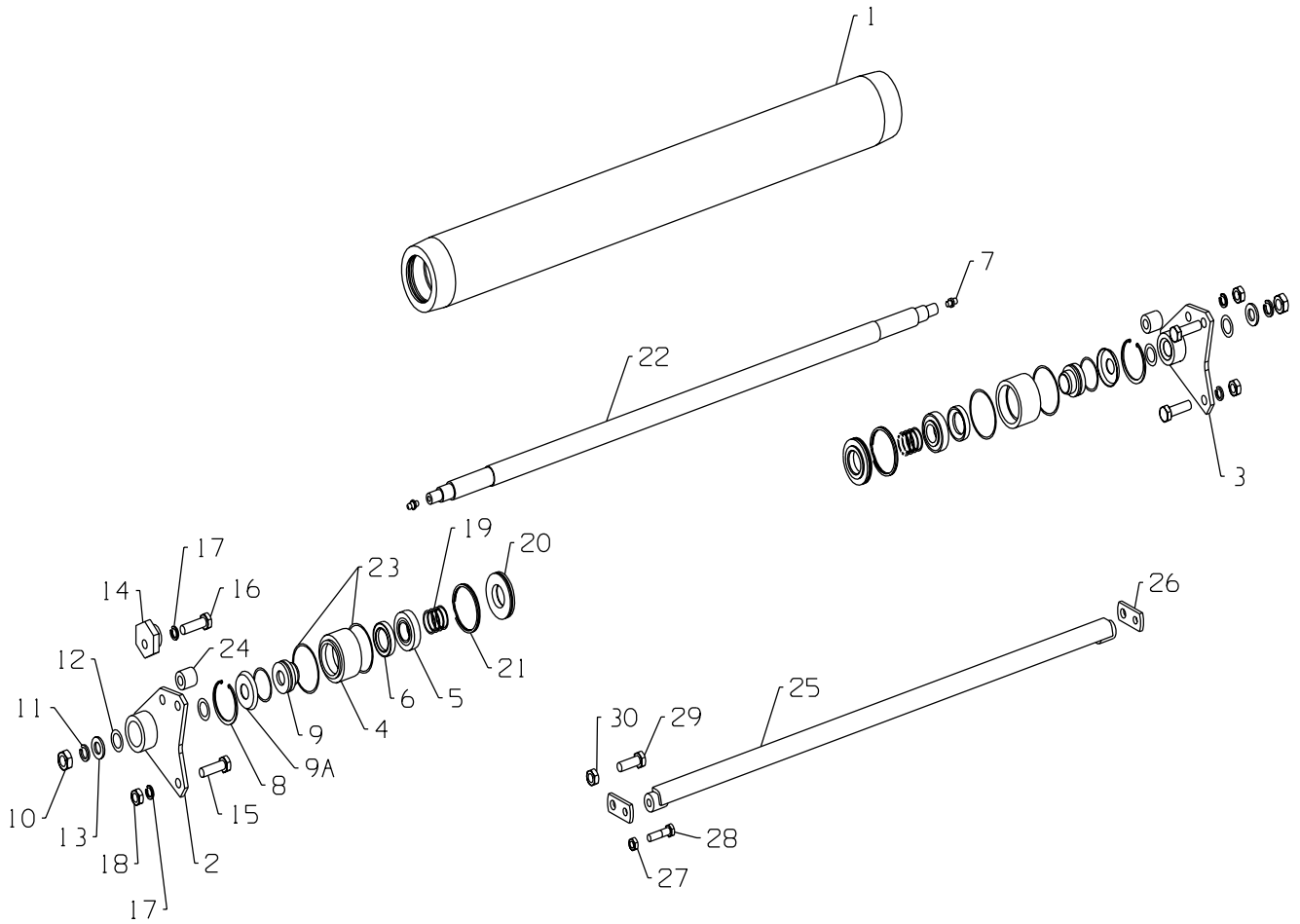
LIST OF PARTS

ITEM	RANSOMES PART NO	DESCRIPTION 	QTY	REMARKS
1	LMSE057	BEARING HOUSING	1	(DRIVE SIDE) 220 M28 / PARKWAY 225 / MOTOR 350D MK5
*	A199302	• HELICOIL INSERT	4	
1*	MBE2229B	BEARING HOUSING	1	(DRIVE SIDE) PARKWAY 2250 / COMMANDER 3500DX / 3510 / TG 3400 & 4650
2	MBC9180B	BEARING HOUSING	1	NON DRIVE SIDE
3	A299316	LUBRICATOR	2	
4	A219324	BUSH	4	
5	MBC8191B	PIVOT PIN	4	
6	A163401	WOODRUFF KEY	4	
7	A159991	WASHER	6	
8	MBE0359	COLLAR	2	
9	MBE2703	COLLAR	2	
10	A133212	STIFFNUT M12	4	
11	A150012	WASHER 12MM	4	
12	MBE1185	RING CARRIER	2	220 M28 / PARKWAY 225 / MOTOR 350D MK5
12*	MBE2231	RING CARRIER	2	COMMANDER 3500DX / 3510
13	A230013	SEAL RING	2	220 M28 / PARKWAY 225 / MOTOR 350D MK5
13*	A230021	SEAL RING	2	COMMANDER 3500DX / 3510
14	A205902	BEARING	2	220 M28 / PARKWAY 225 / MOTOR 350D MK5
14*	A209044	BEARING	2	COMMANDER 3500DX / 3510
15	A229987	SEAL	1	220 M28 / PARKWAY 225 / MOTOR 350D MK5
15*	A230019	SEAL	1	COMMANDER 3500DX / 3510
16	MBE2701	ADJUSTING ROD	2	
17	MBE2699	TRUNNION	2	
18	MBC9178	GUIDE	1	
19	MBC9175	PLUNGER	1	
20	A150016	WASHER 16MM	1	
21	A291094	SPRING	1	
22	MBC9177	PLATE	1	
23	A100210	BOLT M6 X 50	1	
24	A133206	STIFFNUT M6	1	
25	MBE2700A	ADJUSTER	2	
26	A130016	NUT M16	2	
27	MBC9251	COLLAR	2	
28	MBE2702	PLATE	2	
29	MBE2263	WASHER	4	

\* NOT ILLUSTRATED


**RANSOMES  
SPORT 200  
MAGNA 250**

---



## FRONT ROLL ASSEMBLY AND ADJUSTERS FOR VERTICUT.

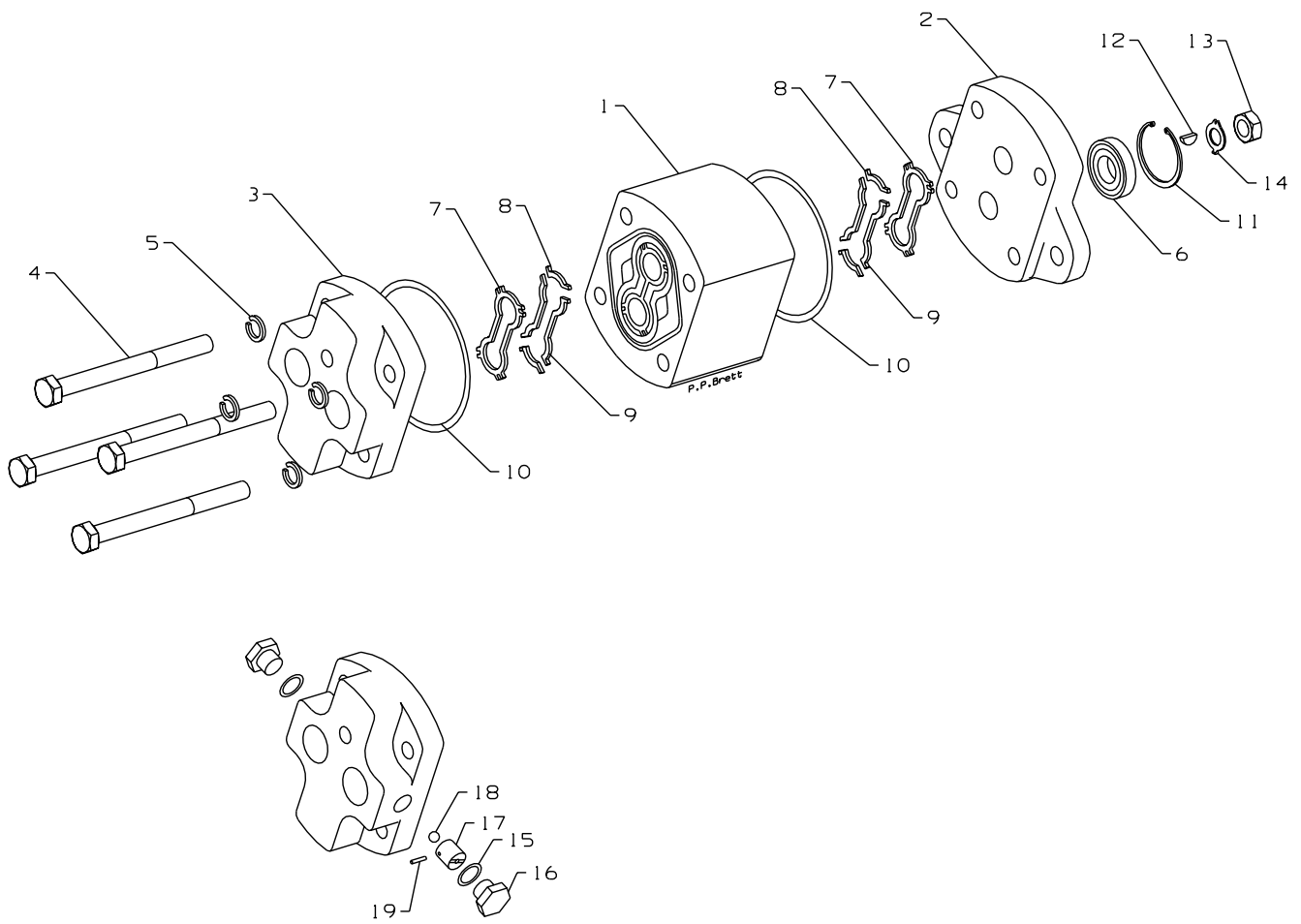
## LIST OF PARTS

ITEM	RANSOMES PART NO	DESCRIPTION 	QTY	REMARKS
1	MBE2174	ROLL TUBE	1	
2	MBE2676	SUPPORT LH	1	
3	MBE2675	SUPPORT RH	1	
4	MBE2429	BEARING HOUSING	2	
5	A205929	BEARING	2	
6	A220254	SEAL	2	
7	A299301	LUBRICATOR	2	
8	A170052	CIRCLIP	2	
9	MBE2430	SEAL JOURNAL	2	
9A	MBE2431	SHIELD	2	
9B	A230021	SEAL RING	2	
10	A130012	NUT M12	2	
11	A151012	S.L.WASHER 12MM	2	
12	A221910	ORING	4	
13	MBE1372	WASHER	2	
14	MBC8317A	ECCENTRIC NUT	1	
15	A110406	SCREW M10 X 30	3	
16	A110407	SCREW M10 X 35	1	
17	A151010	S.L.WASHER 10MM	4	
18	A130010	NUT M10	3	
19	A291115	SPRING	2	
20	MBE1363	RING CARRIER	2	
21	A230013	SEAL RING	2	
22	MBE1362	ROLL SPINDLE	1	
23	A221137	ORING	4	
24	MBE3454	SPACER	2	
25	MBE1434	SCRAPER	1	
26	MBE1415	PLATE	2	
27	A133208	STIFF NUT M8	2	
28	A100308	BOLT M8 X 40	2	
29	A110406	SCREW M10 X 30	2	
30	A133210	STIFF NUT M10	2	
30*	MBE3195A	SPRING RETAINER TOOL	1	TO DISMANTLE C/U ROLL.
31*	A906712	SCRAPER (WIRE)	1	
32*	A133208	STIFF NUT M8	2	

\* NOT ILLUSTRATED

**RANSOMES  
SPORT 200  
MAGNA 250**


---



# HYDRAULIC MOTOR (BELT DRIVE)

# LIST OF PARTS

Motor identification      A800008 - Ultra code - 1MR022R 8604 (new code 1761) Used on Parkway 225 L & RH Drive Unit  
 A800008 - Ultra code - 1MR022R 8604 (new code 1761) Used on 220 M28 4WD L & RH Drive Unit  
 A809624 - Ultra code - 1MR022C 8628 (new code 3362) Used on Motor 350D Mk5 RH Drive Unit  
 A809625 - Ultra code - 1MR022A 8628 (new code 3361) Used on 350D Mk5 LH Drive Unit

ITEM	RANSOMES PART NO	DESCRIPTION	QTY	REMARKS
				
	A800008	HYDRAULIC MOTOR	1	
	A809624	HYDRAULIC MOTOR	1	
	A809625	HYDRAULIC MOTOR	1	
1	N/A	• BODY ASSEMBLY	1	
1	N/A	• DOWEL AND MATCHED	1	
1	N/A	• GEARS	1	
2	N/A	• FLANGE	1	
3	N/A	• COVER	1	
4		• BOLT	4	
5		• S.L.WASHER	4	
	A230018	• SEAL KIT (ITEM 6 - 14)	1	FOR A800008
	A230020	• SEAL KIT (ITEM 6 -15)	1	FOR A809624/A809625
6	A229945	•• SHAFT SEAL	1	
7	N/A	•• BACK UP SEAL	2	
8	N/A	•• BUSH SEAL	4	
9	N/A	•• BUSH SEAL	4	
10	N/A	•• O RING	2	
11	N/A	•• CIRCLIP	1	
12	GSF2230AF	•• KEY	1	
13	GSF2051AD	•• NUT	1	
14	H200038	•• TAB WASHER	1	
	A230020	• SEAL KIT (ITEM 6 -15)	1	FOR A809624/A809625
6	A229945	•• SHAFT SEAL	1	
7	N/A	•• BACK UP SEAL	2	
8	N/A	•• BUSH SEAL	4	
9	N/A	•• BUSH SEAL	4	
10	N/A	•• O RING	2	
11	N/A	•• CIRCLIP	1	
12	GSF2230AF	•• KEY	1	
13	GSF2051AD	•• NUT	1	
14	H200038	•• TAB WASHER	1	
15	N/A	•• O RING	2	
16		• PLUG	2	
	A809630	• CHECK VALVE (ITEM 17-19)	1	
17	N/A	•• BODY	1	
18	N/A	•• BALL	1	
19	N/A	•• SPRING PIN	1	

\* NOT ILLUSTRATED









## World Class Quality, Performance and Support

Equipment from Ransomes Jacobsen Limited is built to exacting standards ensured by ISO 9001 registration at all our manufacturing locations. A worldwide dealer network and factory-trained technicians backed by Ransomes Jacobsen Parts Xpress provide reliable, high-quality product support.



## Kvalitet, præstation og understøttelse i verdensklasse

Udstyr fra Ransomes Jacobsen Limited er bygget i henhold til de krævende standarder, ISO 9001-registreringen på alle vores fabrikationssteder sikrer. Et verdensomspændende forhandlernetværk og fabriks-trænede teknikere opbakket af Ransomes Jacobsen Xpress yder pålidelig produktunderstøttelse af høj kvalitet.



**BOB-CAT BUNTON CUSHMAN JACOBSEN RANSOMES RYAN E-Z-GO**

Ransomes Jacobsen Limited  
Central Avenue, Ransomes Europark, Ipswich, IP3 9QG  
English Company Registration No. 1070731  
[www.ransomesjacobsen.com](http://www.ransomesjacobsen.com)