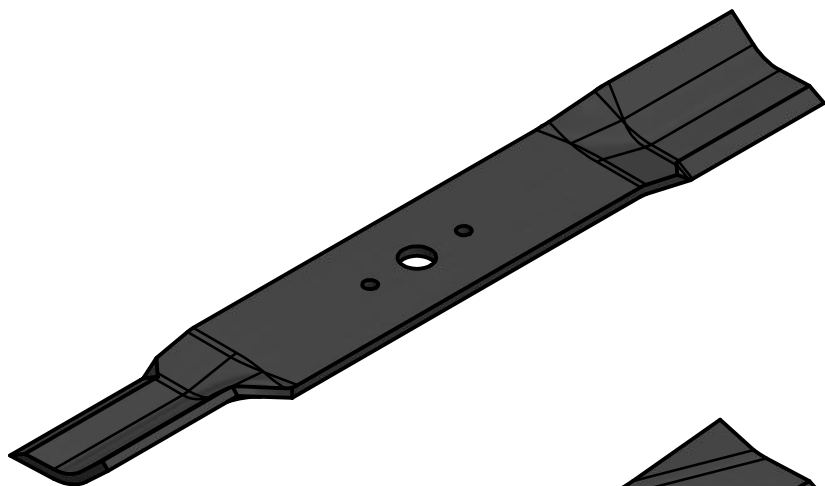


STENSBALLE

Rotary mower knives



Standard knives:

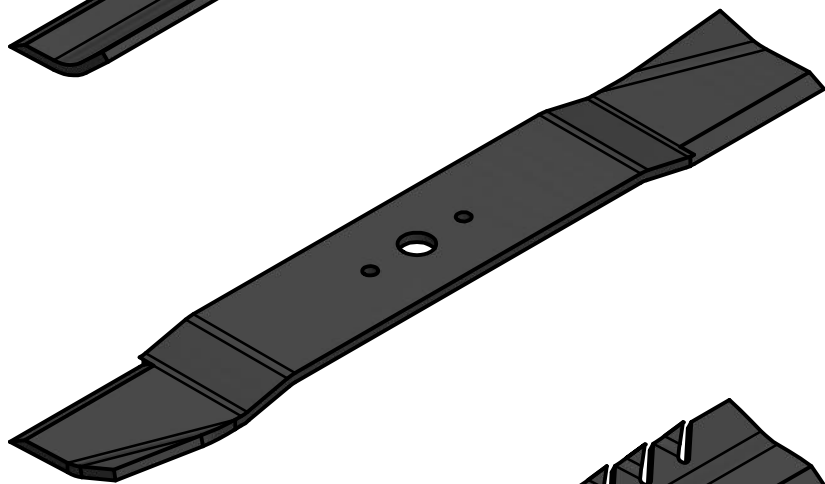
Knives with high lift requires high power.

538mm right - part 210214-10

538mm left - part 210214-40

624mm right - part 04-212-210

624mm left - part 04-212-240



Low lift knives:

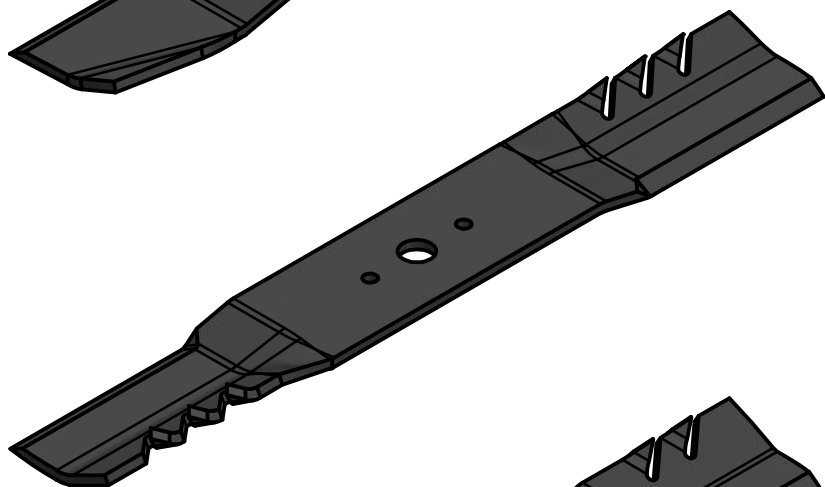
Knives with minimal lift requires less power.

538mm right - part 210214-30

538mm left - part 210214-20

624mm right - part 04-212-230

624mm left - part 04-212-220



Gator 3 in 1 knives:

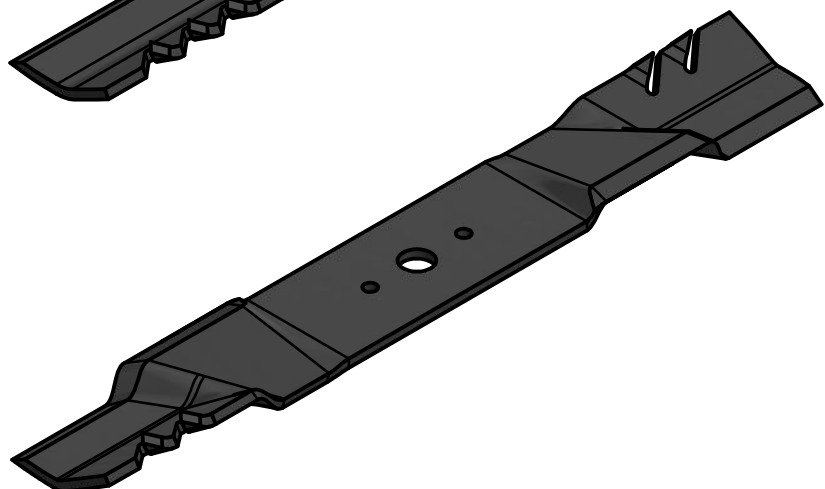
Gator knives with extra high lift and teeth for mulching.

538mm right - part 210214-55

538mm left - part 210214-45

624mm right - part 04-212-255

624mm left - part 04-212-245



4 in 1 knives:

Like 3 in 1 knife but with down draft on the mid, for extra mulching.

538mm right - part 210214-60

538mm left - part 210214-65

624mm right - part 04-212-260

624mm left - part 04-212-265

GMR 

Care for the ground

STAMA

STENSBALLE

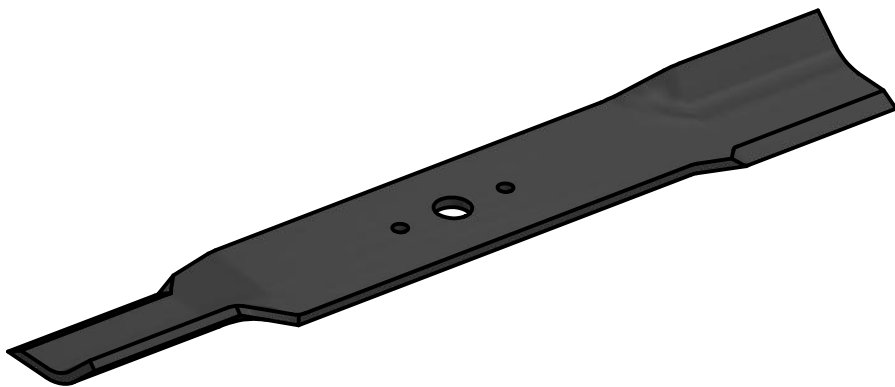
NESBO

ELKÆR



STENSBALLE

Rotary mower knives

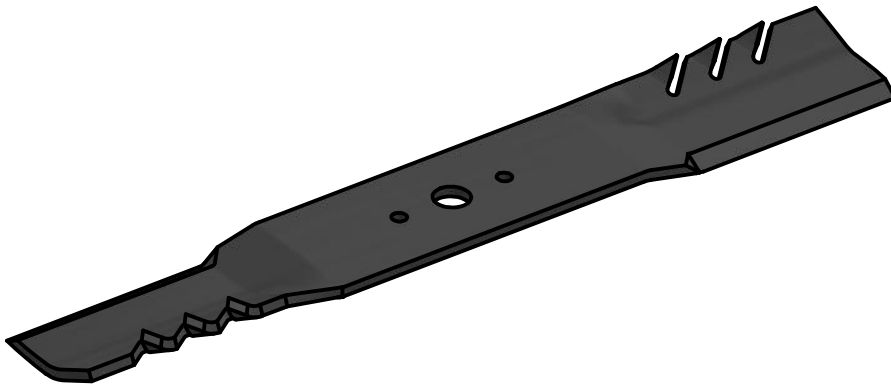


Standard knife:

Knife with extra lift.

395mm 12-240-700

455mm 13-240-700



Gator 3 in 1 knife:

Gator knife with extra lift and teeth for extra mulching.

395mm 12-240-705

455mm 13-240-705

GMR 

Care for the ground

STAMA

STENSBALLE

NESBO

ELKÆR

